



Factory Add:Shengqiu industrial park, Guzhen Town,
Zhongshan City, Guangdong Province Area C, 8th floor
Tel:+86-13861397676
E-mail: michael@claroleds.com chnled@hotmail.com
QQ: 8298902

2024
Catalogue



PRODUCT CATALOGUE

产品目录

01

LED OWN MOULD SERIES
私模系列

01-16

02

LED GU10 SERIES
GU10系列

17-23

03

LED UNDERGROUND LIGHT
LED埋地灯

24-30

04

LED CORNER STEP LIGHT
LED墙角灯

31-43

05

LED CYLINDRICAL LAMP
LED柱头灯

44-48

06

LED GARDEN LIGHT
LED草坪灯

49-57

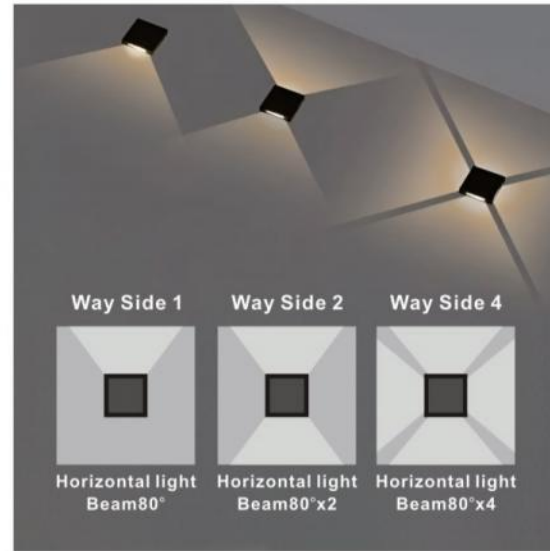
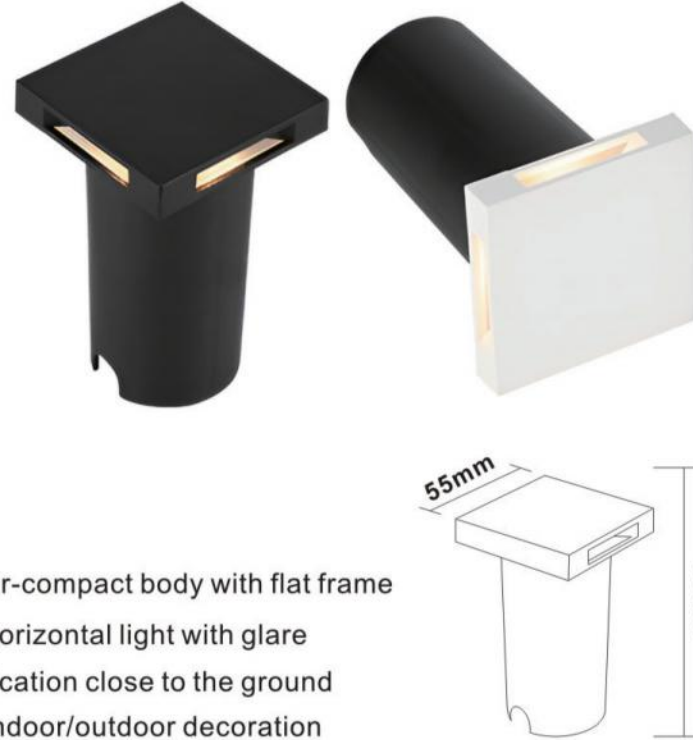


LED UNDERGROUND LIGHT

AVAILABLE FOR SKD

DM901P

Material: PC with UV Resistance
Color Temperature:3000K/4000K/6500K
IP rating:IP67



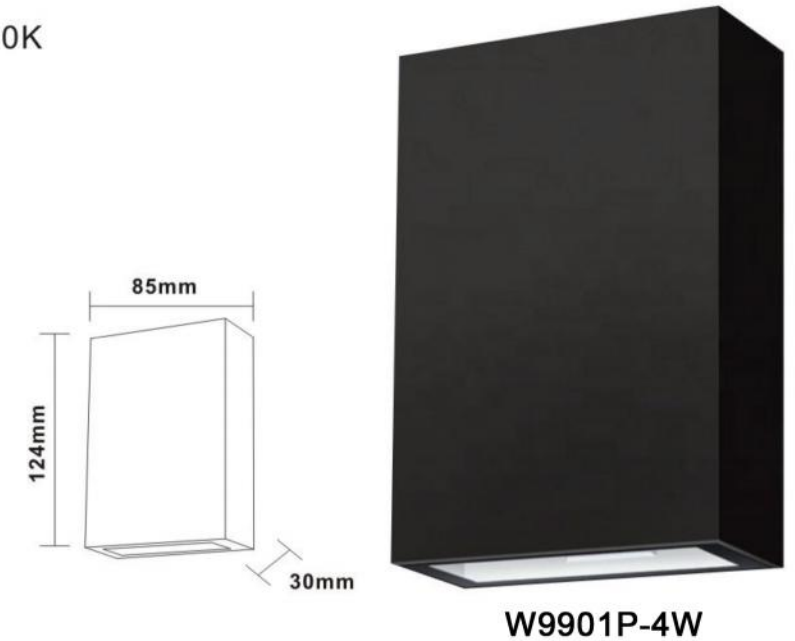
- Super-compact body with flat frame
- 80° horizontal light with glare
- Application close to the ground
- For indoor/outdoor decoration

LED OUTDOOR WALL LIGHT

AVAILABLE FOR SKD

W9901P

Material: PC with UV Resistance
Color Temperature:3000K/4000K/6500K
IP rating:IP65



W9901P-4W

APPLICATIONS

Product Features:

- 1.LED underground lights small size,comsumption,long life,durable.
- 2.Easy installation,elegant and unique,leakproof,waterproof can get to IP68.
- 3.Super-compact body with flat frame.

Application Place:

Widely use in parks,squares,eisure facilities and other outdoor lighting,park landscaping, lawn,garden,flower beds and pedestrian street decorative.



Frame color(regular color 3 options)
Accept more color customized



3 Types of Light Performance



Product Details parameters:



Model	Wattage	Product size	Light source	Input voltage	Light effect	CRI(Ra)	Power factor
DM901P	0.7W	55xH90mm	1WAY SMD	AC85-265V 50/60Hz	≥90LM/W	>80	≥0.5
	1W	55xH90mm	2WAY SMD	AC85-265V 50/60Hz	≥90LM/W	>80	≥0.5
	2W	55xH90mm	4WAY SMD	AC85-265V 50/60Hz	≥90LM/W	>80	≥0.5

Product Details parameters:



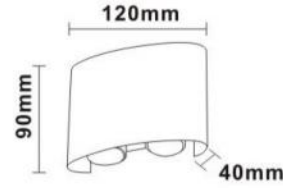
Model	Wattage	Product size	Light source	Input voltage	Light effect	CRI(Ra)	Power factor
W9901P	4W	85x124x30mm	SMD	AC85-265V 50/60Hz	≥90LM/W	>80	≥0.5

LED OUTDOOR WALL LIGHT **TCLARO**

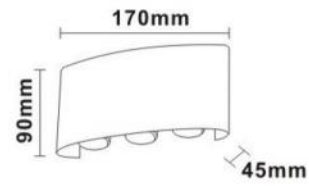
AVAILABLE FOR SKD

813C-SL

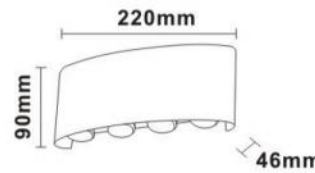
Material: PC with UV Resistance
Color Temperature:3000K/4000K/6500K
IP rating:IP65



813C-4SL



813C-6SL



813C-8SL



Waterproof PCB



Easily install & separate bracket.

Product Details parameters:



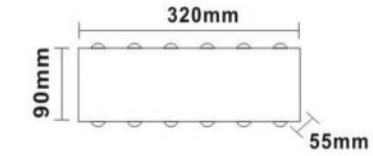
Model	Wattage	Product size	Light source	Input voltage	Light effect	CRI(Ra)	Power factor
813C-4SL	4x2W	120x90xH40mm	SMD	AC85-265V 50/60Hz	≥90LM/W	>80	≥0.5
813C-6SL	6x2W	170x90xH45mm	SMD	AC85-265V 50/60Hz	≥90LM/W	>80	≥0.5
813C-8SL	8x2W	220x90xH46mm	SMD	AC85-265V 50/60Hz	≥90LM/W	>80	≥0.5

LED OUTDOOR WALL LIGHT **TCLARO**

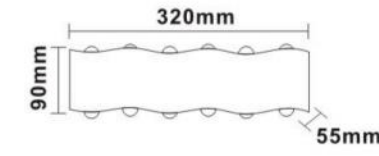
AVAILABLE FOR SKD

W9903/W9904

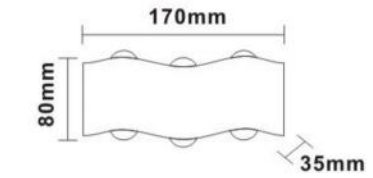
Material: Die-casting Aluminum(THICK HOUSING)
Color Temperature:3000K/4000K/6500K
IP rating:IP65



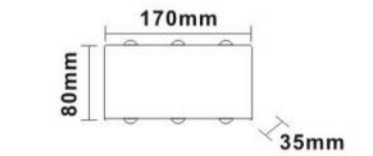
W9903-12



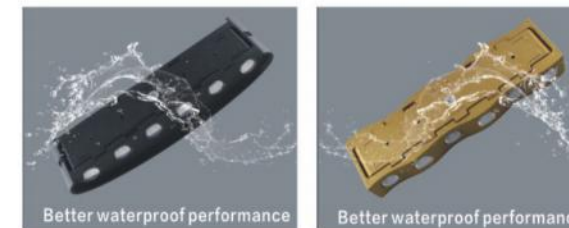
W9904-12



W9904-6

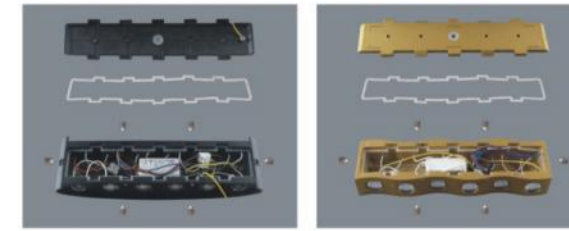


W9903-6



Better waterproof performance

Better waterproof performance



Product Details parameters:



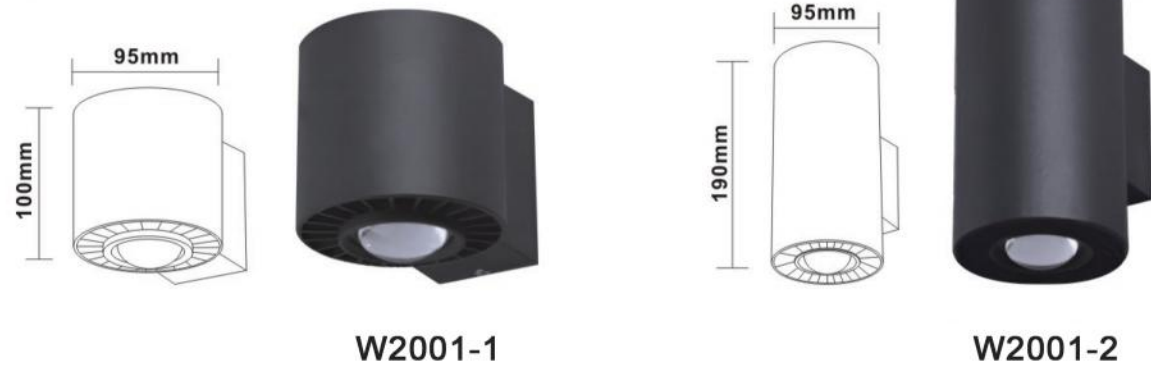
Model	Wattage	Product size	Light source	Input voltage	Light effect	CRI(Ra)	Power factor
W9903-12	12x2W CREE	320x90x55mm	SMD	AC85-265V 50/60Hz	≥90LM/W	>80	≥0.5
W9904-12	12x2W CREE	320x90x55mm	SMD	AC85-265V 50/60Hz	≥90LM/W	>80	≥0.5
W9903-6	6x2W CREE	170x80x35mm	SMD	AC85-265V 50/60Hz	≥90LM/W	>80	≥0.5
W9904-6	6x2W CREE	170x80x35mm	SMD	AC85-265V 50/60Hz	≥90LM/W	>80	≥0.5

LED OUTDOOR WALL LIGHT **ICLARO**

AVAILABLE FOR SKD

W2001

Material: Die-casting Aluminum
 Color Temperature:3000K/4000K/6500K
 Warranty: 2 Years
 IP rating:IP65

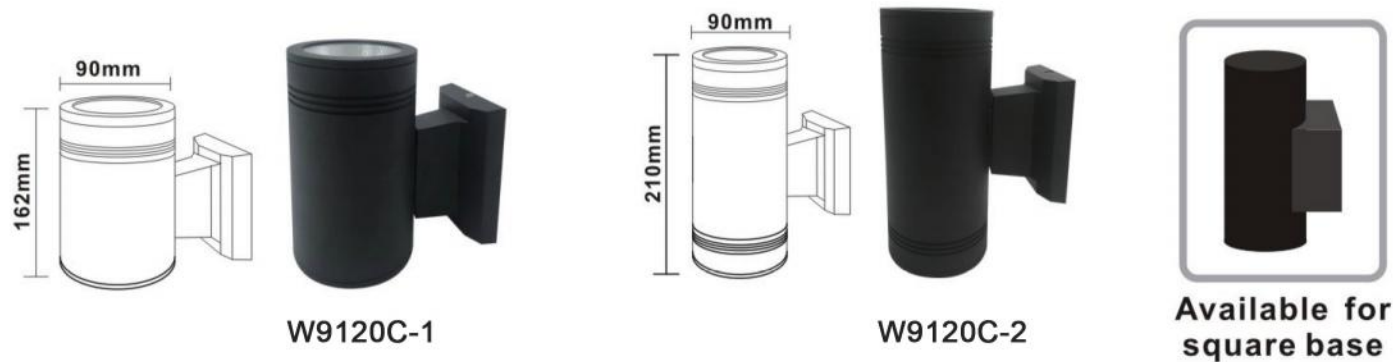


W2001-1

W2001-2

W9120C-1/2

Material: Die-casting Aluminum
 Color Temperature:3000K/4000K/6500K
 Warranty: 2 Years
 IP rating:IP65



W9120C-1

W9120C-2

Available for square base

Product Details parameters:



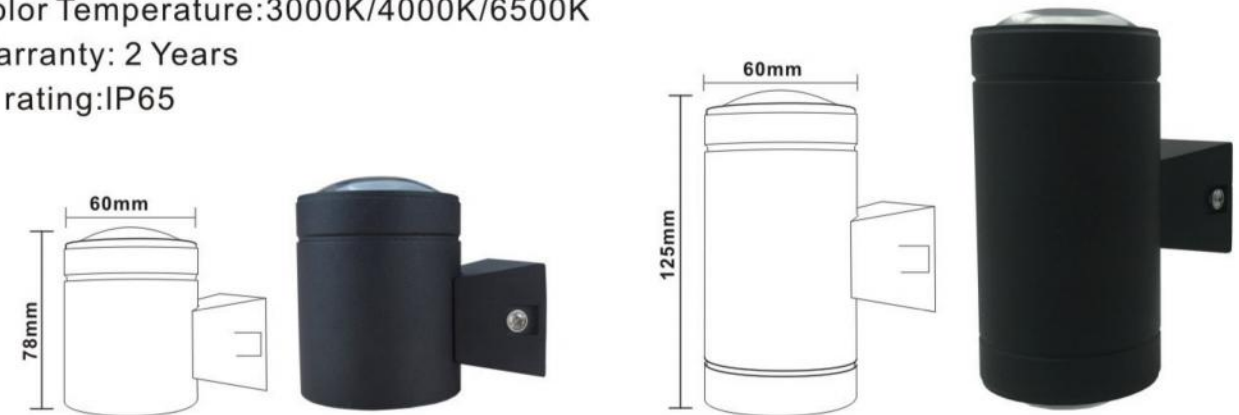
Model	Wattage	Product size	Light source	Input voltage	Light effect	CRI(Ra)	Power factor
W2001-1	12W	100x95x112mm	COB	AC85-265V 50/60Hz	≥90LM/W	>80	≥0.5
W2001-2	24W	190x95x112mm	COB	AC85-265V 50/60Hz	≥90LM/W	>80	≥0.5
W9120C-1	10W	Φ90x162mm	COB	AC85-265V 50/60Hz	≥90LM/W	>80	≥0.5
W9120C-2	20W	Φ90x210mm	COB	AC85-265V 50/60Hz	≥90LM/W	>80	≥0.5

LED OUTDOOR WALL LIGHT **ICLARO**

AVAILABLE FOR SKD

W1408-1/2

Material: Die-casting Aluminum+Glass
 Color Temperature:3000K/4000K/6500K
 Warranty: 2 Years
 IP rating:IP65

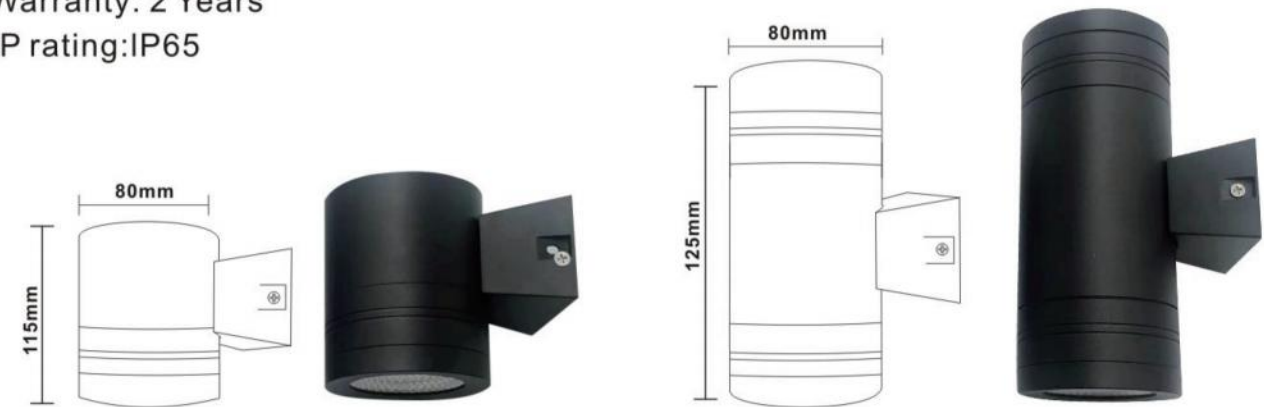


W1408-1

W1408-2

W1002-1/2

Material: Die-casting Aluminum+Glass
 Color Temperature:3000K/4000K/6500K
 Warranty: 2 Years
 IP rating:IP65



WL1002-1

WL1002-2

Product Details parameters:



Model	Wattage	Product size	Light source	Input voltage	Light effect	CRI(Ra)	Power factor
W1408-1	5W	60x83x78mm	COB	AC85-265V 50/60Hz	≥90LM/W	>80	≥0.5
W1408-2	10W	60x83x125mm	COB	AC85-265V 50/60Hz	≥90LM/W	>80	≥0.5
WL1002-1	9W	80x98x115mm	COB	AC85-265V 50/60Hz	≥90LM/W	>80	≥0.5
WL1002-2	2*9W	80x83x125mm	COB	AC85-265V 50/60Hz	≥90LM/W	>80	≥0.5

LED OUTDOOR WALL LIGHT **ICLARO**

AVAILABLE FOR SKD

W2434

Material: Die-casting Aluminum
 Color Temperature: 3000K/4000K/6500K
 Warranty: 2 Years
 IP rating: IP65



W2434-2



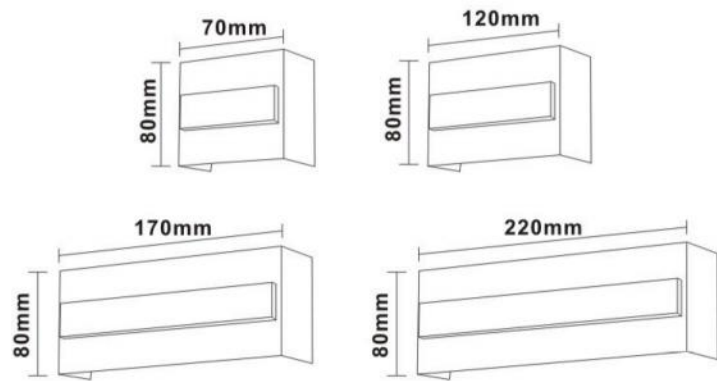
W2434-4



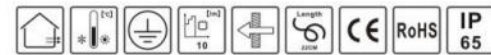
W2434-6



W2434-8



Product Details parameters:



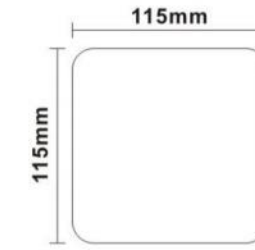
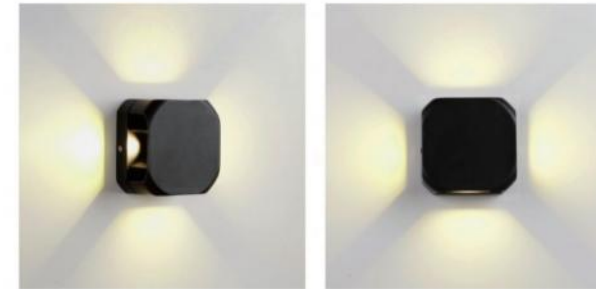
Model	Wattage	Product size	Light source	Input voltage	Light effect	CRI(Ra)	Power factor
W2434-2	4W	70x80x42mm	SMD+COB	AC85-265V 50/60Hz	≥90LM/W	>80	≥0.5
W2434-4	8W	120x80x42mm	SMD+COB	AC85-265V 50/60Hz	≥90LM/W	>80	≥0.5
W2434-6	12W	170x80x42mm	SMD+COB	AC85-265V 50/60Hz	≥90LM/W	>80	≥0.5
W2434-8	14W	220x80x42mm	SMD+COB	AC85-265V 50/60Hz	≥90LM/W	>80	≥0.5

LED OUTDOOR WALL LIGHT **ICLARO**

AVAILABLE FOR SKD

813E

Material: Die-casting Aluminum
 Color Temperature: 3000K/4000K/6500K
 Warranty: 2 Years
 IP rating: IP65

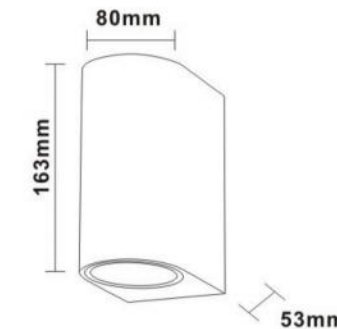


813E



W9902

Material: Die-casting Aluminum
 Color Temperature: 3000K/4000K/6500K
 Warranty: 2 Years
 IP rating: IP65



W9902

Product Details parameters:



Model	Wattage	Product size	Light source	Input voltage	Light effect	CRI(Ra)	Power factor
813E	4x3W	115x115x60mm	COB	AC85-265V 50/60Hz	≥90LM/W	>80	≥0.5
W9902	2x7W	163x80x53mm	COB	AC85-265V 50/60Hz	≥90LM/W	>80	≥0.5



AVAILABLE FOR SKD



	2815-7W		Die Casting Aluminum
	2815-12/15W		Die Casting Aluminum
	2815-25W		Die Casting Aluminum

Product Details parameters:

Model	Wattage	Product size	Light source	Input voltage	Light effect	CRI(Ra)	Power factor
2815	7W	Φ70xH300mm	COB	AC85-265V 50/60Hz	≥90LM/W	>80	≥0.5
	12W/15W	Φ85xH330mm	COB	AC85-265V 50/60Hz	≥90LM/W	>80	≥0.5
	25W	Φ114xH400mm	COB	AC85-265V 50/60Hz	≥90LM/W	>80	≥0.5



AVAILABLE FOR SKD



	2802B-7W	Die Casting Aluminum
	2802B-12W/15W	Die Casting Aluminum
	2802-7W	Die Casting Aluminum
	2802-12W/15W	Die Casting Aluminum

Product Details parameters:

Model	Wattage	Product size	Light source	Input voltage	Light effect	CRI(Ra)	Power factor
2802B-7W	7W	Φ70xH125mm	COB	AC85-265V 50/60Hz	≥90LM/W	>80	≥0.5
2802B-12W/15W	12W/15W	Φ80xH148mm	COB	AC85-265V 50/60Hz	≥90LM/W	>80	≥0.5
2802-7W	7W	Φ70xH285mm	COB	AC85-265V 50/60Hz	≥90LM/W	>80	≥0.5
2802-12W/15W	12W/15W	Φ80xH300mm	COB	AC85-265V 50/60Hz	≥90LM/W	>80	≥0.5



AVAILABLE FOR SKD

2810B-10W Die Casting Aluminum

CE RoHS IP 65

2810B-15W Die Casting Aluminum

CE RoHS IP 65

2810-10W Die Casting Aluminum

CE RoHS IP 65

2810-15W Die Casting Aluminum

CE RoHS IP 65

C0205P PC

CE RoHS IP 65

C0210P PC

CE RoHS IP 65

Product Details parameters:

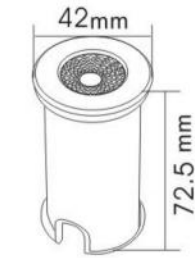
Model	Wattage	Product size	Light source	Input voltage	Light effect	CRI(Ra)	Power factor
2810B-10W	10W	65x65xH135mm	COB	AC85-265V 50/60Hz	≥90LM/W	>80	≥0.5
2810B-15W	15W	80x80xH148mm	COB	AC85-265V 50/60Hz	≥90LM/W	>80	≥0.5
2810-10W	10W	65x65xH295mm	COB	AC85-265V 50/60Hz	≥90LM/W	>80	≥0.5
2810-15W	15W	80x80xH295mm	COB	AC85-265V 50/60Hz	≥90LM/W	>80	≥0.5
C0205P	4.5W	69xH250mm	COB	AC85-265V 50/60Hz	≥90LM/W	>80	≥0.5
C0210P	10-12W	80xH320mm	COB	AC85-265V 50/60Hz	≥90LM/W	>80	≥0.5

LED UNDERGROUND LIGHT

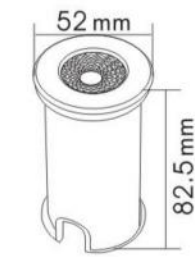
AVAILABLE FOR SKD

2207

Material: Stainless steel
 Color Temperature:3000K/4000K/6500K
 Warranty: 2 Years
 IP rating:IP67



2207-1W



2207-3W



2207-9W



2207-6W

Product Details parameters:

Model	Wattage	Product size	Light source	Input voltage	Light effect	CRI(Ra)	Power factor
2207	1W	Φ42xH72.5mm	COB	AC85-265V 50/60Hz	≥90LM/W	>80	≥0.5
	3W	Φ52xH82.5mm	COB	AC85-265V 50/60Hz	≥90LM/W	>80	≥0.5
	6W	Φ62xH88.5mm	COB	AC85-265V 50/60Hz	≥90LM/W	>80	≥0.5
	9W	Φ75xH95mm	COB	AC85-265V 50/60Hz	≥90LM/W	>80	≥0.5

LED UNDERGROUND LIGHT

AVAILABLE FOR SKD



Why choose us? the reason is as following:

1. Our lens can have 3 options of angle : 10°/20°/30° degrees.
2. Our inground light can be equipped with Cob reflector type or Lens type or Smd type.
3. Our lamp housing inside have screw hole for ground wire which compare with outside market still not have screw hole for small wattages.
4. Our lamp housing have enough space for larger drivers which have 2.5KV-4KV surge protection drivers can also be used.
5. Our junction plastic box(预埋件) can be buckled / Clip, easily to take out .No need to unlock the screw of the stainless steel ring which in market we need to unlock the ring then can fix the junction box .Easy for install
6. Our lamp are IP67 waterproof with good quality glue .



LED UNDERGROUND LIGHT

AVAILABLE FOR SKD

DM9902 (With screw type)

Material: Die-casting Aluminum+Stainless steel
 Color Temperature:3000K/4000K/6500K
 Warranty: 2 Years
 IP rating:IP67



DM9903 (No screw type)

Material: Die-casting Aluminum+Stainless steel
 Color Temperature:3000K/4000K/6500K
 Warranty: 2 Years
 IP rating:IP67



Product Details parameters:



Model	Wattage	Product size	Light source	Input voltage	Light effect	CRI(Ra)	Power factor
DM9902 & DM9903	3W	Φ65x75mm	COB	AC85-265V 50/60Hz	≥90LM/W	>80	≥0.5
	6W	Φ80x75mm	COB	AC85-265V 50/60Hz	≥90LM/W	>80	≥0.5
	9W	Φ100x87mm	COB	AC85-265V 50/60Hz	≥90LM/W	>80	≥0.5
	12W	Φ120x90mm	COB	AC85-265V 50/60Hz	≥90LM/W	>80	≥0.5
	15W	Φ150x90mm	COB	AC85-265V 50/60Hz	≥90LM/W	>80	≥0.5
	18W	Φ150x90mm	COB	AC85-265V 50/60Hz	≥90LM/W	>80	≥0.5

GU10 SERIES



DM0403

Material: Die-casting Aluminum+Stainless steel

Color Temperature:3000K/4000K/6500K

Warranty: 2 Years

IP rating:IP67



MD120F



MD100



MD110



MD120

Product Details parameters:



Model	Wattage	Product size	Light source	Input voltage	Light effect	CRI(Ra)	Power factor
MD100	GU5.3	Φ100mm	/	/	/	/	/
MD110	GU10	Φ110mm	/	/	/	/	/
MD120	GU10	Φ120mm	/	/	/	/	/
MD110F	GU10	110x110mm	/	/	/	/	/
MD120F	GU10	120x120mm	/	/	/	/	/



Product Details parameters:



Model	Wattage	Product size	Light source	Input voltage	Light effect	CRI(Ra)	Power factor
C111P GU10	GU10	Φ80xH300	/	/	/	/	/
C0210P GU10	GU10	Φ80xH320	/	/	/	/	/
C0305 GU10	GU10	Φ110xH370	/	/	/	/	/
DT0208	GU10	Φ100xH300	/	/	/	/	/
DT0208-CAP	GU10	Φ100xH340	/	/	/	/	/

	C111P GU10	Die Casting Aluminum

	C0210P GU10	PC

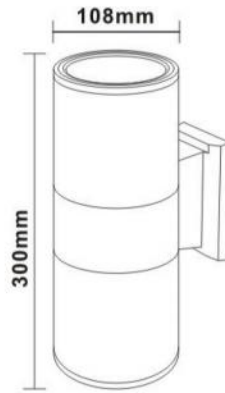
	C0305 GU10	Die Casting Aluminum

	DT0208	Die Casting Aluminum

	DT0208-CAP	Die Casting Aluminum

B47-2

Material: Die-casting Aluminum
 Color Temperature: 3000K/4000K/6500K
 Warranty: 2 Years
 IP rating: IP65



B47-R1-2



B47-R2-2

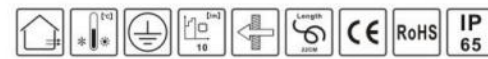


B47-R3-2



B47-R4-2

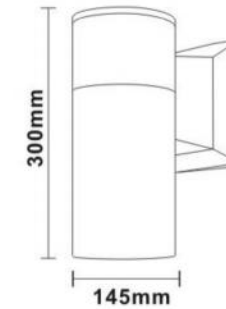
Product Details parameters:



Model	Wattage	Product size	Light source	Input voltage	Light effect	CRI(Ra)	Power factor
B47-R1-2	GU10/2x3W	65xH160mm	GU10/COB	AC85-265V 50/60Hz	≥90LM/W	>80	≥0.5
B47-R2-2	GU10/2x5W	90xH260mm	GU10/COB	AC85-265V 50/60Hz	≥90LM/W	>80	≥0.5
B47-R3-2	GU10/2x10W	108xH300mm	GU10/COB	AC85-265V 50/60Hz	≥90LM/W	>80	≥0.5
B47-R4-2	GU10/2x15W	145xH450mm	GU10/COB	AC85-265V 50/60Hz	≥90LM/W	>80	≥0.5

B47-1

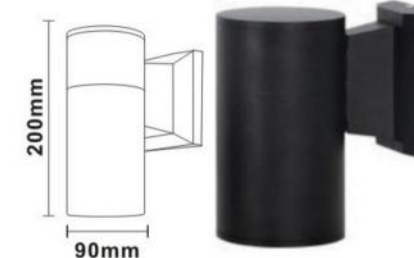
Material: Die-casting Aluminum
 Color Temperature: 3000K/4000K/6500K
 Warranty: 2 Years
 IP rating: IP65



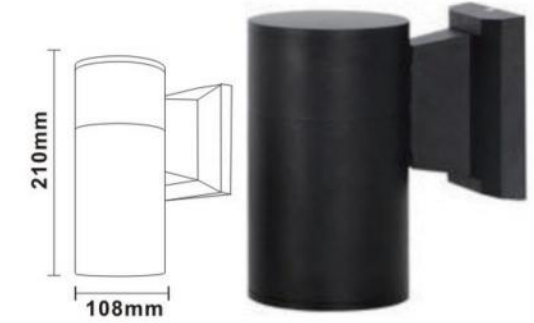
B47-R1-1



B47-R2-1

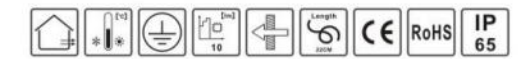


B47-R3-1



B47-R4-1

Product Details parameters:



Model	Wattage	Product size	Light source	Input voltage	Light effect	CRI(Ra)	Power factor
B47-R1-1	GU10/3W	65xH120mm	GU10/COB	AC85-265V 50/60Hz	≥90LM/W	>80	≥0.5
B47-R2-1	GU10/5W	90xH200mm	GU10/COB	AC85-265V 50/60Hz	≥90LM/W	>80	≥0.5
B47-R3-1	GU10/10W	108xH210mm	GU10/COB	AC85-265V 50/60Hz	≥90LM/W	>80	≥0.5
B47-R4-1	GU10/15W	145xH300mm	GU10/COB	AC85-265V 50/60Hz	≥90LM/W	>80	≥0.5

GU10 SERIES



496/495/F810

Material: Die-casting Aluminum
 Color Temperature: 3000K/4000K/6500K
 Warranty: 2 Years
 IP rating: IP65



Product Details parameters:



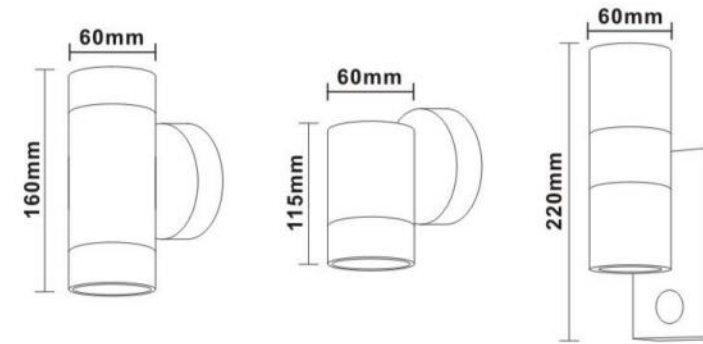
Model	Wattage	Product size	Light source	Input voltage	Light effect	CRI(Ra)	Power factor
496-1	GU10	65x90x80mm	/	AC85-265V 50/60Hz	/	/	/
496-2	GU10	65x90x150mm	/	AC85-265V 50/60Hz	/	/	/
495-1	GU10	65x90x80mm	/	AC85-265V 50/60Hz	/	/	/
495-2	GU10	65x90x150mm	/	AC85-265V 50/60Hz	/	/	/
F811-2	GU10	150x68x80mm	/	AC85-265V 50/60Hz	/	/	/
	GU10	200x100x100mm	/	AC85-265V 50/60Hz	/	/	/
F810-2	GU10	150x68x80mm	/	AC85-265V 50/60Hz	/	/	/
	GU10	200x100x100mm	/	AC85-265V 50/60Hz	/	/	/

GU10 SERIES



B47-99series

Material: Die-casting Aluminum/Stainless steel
 Color Temperature: 3000K/4000K/6500K
 Warranty: 2 Years
 IP rating: IP65



Product Details parameters:



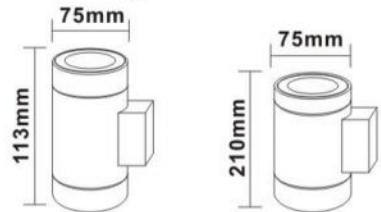
Model	Wattage	Product size	Material	Input voltage	Light effect	CRI(Ra)	Power factor
B47-9902-1	GU10	Φ60x90xH115mm	Die-casting Aluminum	/	/	/	/
B47-9902-2	GU10	Φ60x90xH160mm	Die-casting Aluminum	/	/	/	/
B47-9906-1	GU10	60x113xH90MM	Stainless steel	/	/	/	/
B47-9906-2	GU10	60x160xH82MM	Stainless steel	/	/	/	/
B47-9904-2	GU10	Φ60x103xH220mm	Stainless steel	/	/	/	/
B47-9905-2	GU10	Φ60x103xH220mm	Die-casting Aluminum	/	/	/	/

GU10 SERIES



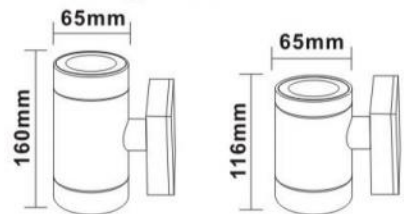
B47-9903

Material: Stainless steel
 Color Temperature:3000K/4000K/6500K
 Warranty: 2 Years
 IP rating:IP65



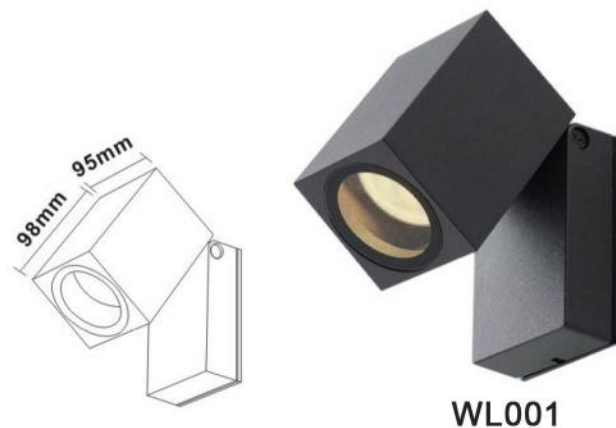
W9905

Material: Die-casting Aluminum
 Color Temperature:3000K/4000K/6500K
 Warranty: 2 Years
 IP rating:IP65

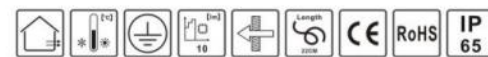


WL001

Material: Die-casting Aluminum
 Color Temperature:3000K/4000K/6500K
 Warranty: 2 Years
 IP rating:IP65



Product Details parameters:



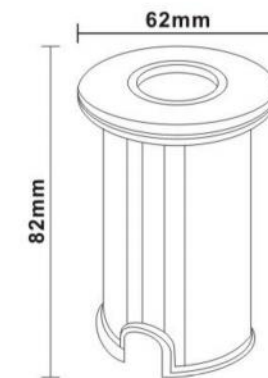
Model	Wattage	Product size	Material	Input voltage	Light effect	CRI(Ra)	Power factor
B47-9903-1	GU10	Φ75x103xH113mm	Stainless steel	/	/	/	/
B47-9903-2	GU10	Φ75x105xH210mm	Stainless steel	/	/	/	/
W9905-1	GU10	65xH116mm	Die-casting Aluminum	/	/	/	/
W9905-2	GU10	65xH160mm	Die-casting Aluminum	/	/	/	/
WL1001	GU10/7W	98x95xH63mm	Die-casting Aluminum	AC85-265V 50/60Hz	≥90LM/W	>80	≥0.5

LED UNDERGROUND LIGHT



DM01

Material: Stainless Steel
 Color Temperature:3000K/4000K/6500K
 Warranty: 2 Years
 IP rating:IP67



Product Details parameters:



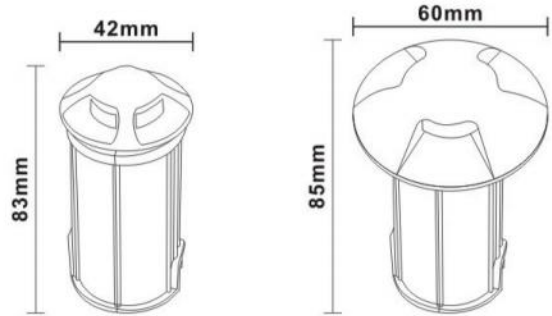
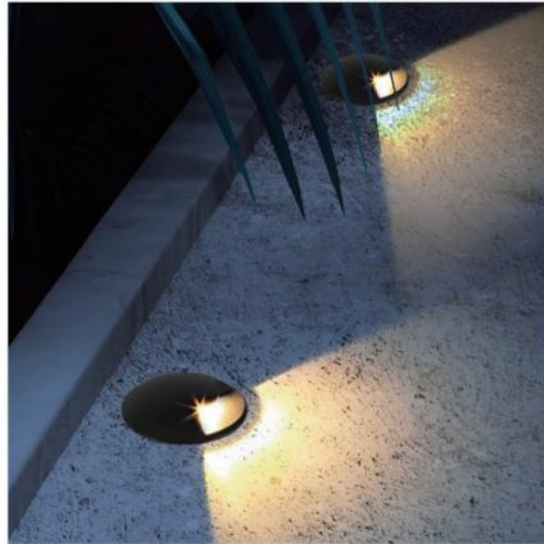
Model	Wattage	Product size	Light source	Input voltage	Light effect	CRI(Ra)	Power factor
DM01	1W	Φ42xH82mm	COB	AC85-265V 50/60Hz	≥70LM/W	>80	≥0.5
	1W	Φ52xH82mm	COB	AC85-265V 50/60Hz	≥70LM/W	>80	≥0.5
	3W	Φ62xH82mm	COB	AC85-265V 50/60Hz	≥70LM/W	>80	≥0.5

LED UNDERGROUND LIGHT



DM0403

Material: Die-casting Aluminum
 Color Temperature: 3000K/4000K/6500K
 Warranty: 2 Years
 IP rating: IP67



Product Details parameters:

Model	Wattage	Product size	Light source	Input voltage	Light effect	CRI(Ra)	Power factor
DM0403 1way/2way/3way/4way	1W	Φ42mm	COB	AC85-265V 50/60Hz	≥70LM/W	>80	≥0.5
	1W	Φ52mm	COB	AC85-265V 50/60Hz	≥70LM/W	>80	≥0.5
	3W	Φ62mm	COB	AC85-265V 50/60Hz	≥70LM/W	>80	≥0.5

LED UNDERGROUND LIGHT



DM0404

Material: Die-casting Aluminum+Stainless steel
 Color Temperature: 3000K/4000K/6500K
 Warranty: 2 Years
 IP rating: IP67



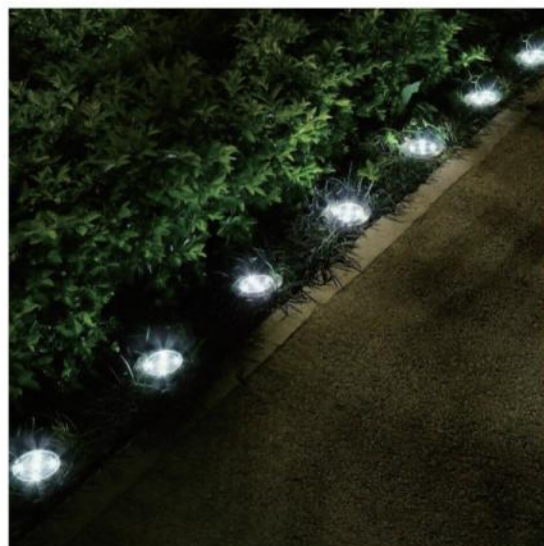
Product Details parameters:



Model	Wattage	Product size	Light source	Input voltage	Light effect	CRI(Ra)	Power factor
DM0404	3W	Φ65mm	COB	AC85-265V 50/60Hz	≥70LM/W	>80	≥0.5
	6W	Φ80mm	COB	AC85-265V 50/60Hz	≥70LM/W	>80	≥0.5
	7W	Φ100mm	COB	AC85-265V 50/60Hz	≥70LM/W	>80	≥0.5
	10W	Φ120mm	COB	AC85-265V 50/60Hz	≥70LM/W	>80	≥0.5
	15W	Φ150mm	COB	AC85-265V 50/60Hz	≥70LM/W	>80	≥0.5
	20W	Φ180mm	COB	AC85-265V 50/60Hz	≥70LM/W	>80	≥0.5
	30W	Φ200mm	COB	AC85-265V 50/60Hz	≥70LM/W	>80	≥0.5
	40W	Φ250mm	COB	AC85-265V 50/60Hz	≥70LM/W	>80	≥0.5
	50W	Φ300mm	COB	AC85-265V 50/60Hz	≥70LM/W	>80	≥0.5

DM0103

Material: Die-casting Aluminum+Stainless steel
 Color Temperature:3000K/4000K/6500K
 Warranty: 2 Years
 IP rating:IP67



DM0103-3W



DM0103-6W



DM0103-12W



DM0103-9W

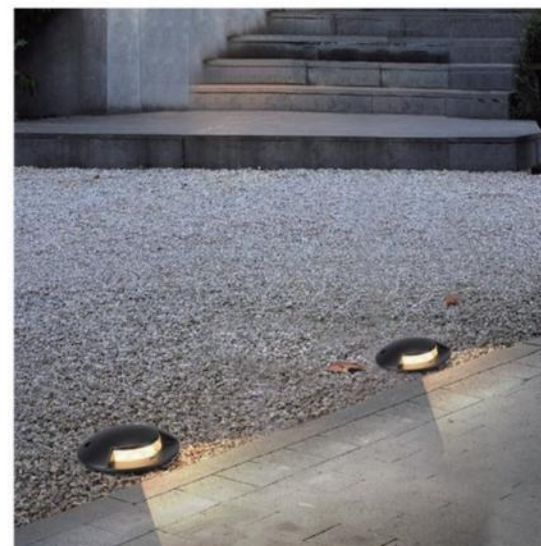
Product Details parameters:



Model	Wattage	Product size	Light source	Input voltage	Light effect	CRI(Ra)	Power factor
DM0103	3W	Φ80mm	SMD	AC85-265V 50/60Hz	≥70LM/W	>80	≥0.5
	6W	Φ120mm	SMD	AC85-265V 50/60Hz	≥70LM/W	>80	≥0.5
	9W	Φ150mm	SMD	AC85-265V 50/60Hz	≥70LM/W	>80	≥0.5
	12W	Φ160mm	SMD	AC85-265V 50/60Hz	≥70LM/W	>80	≥0.5
	18W	Φ180mm	SMD	AC85-265V 50/60Hz	≥70LM/W	>80	≥0.5
	24W	Φ200mm	SMD	AC85-265V 50/60Hz	≥70LM/W	>80	≥0.5
	36W	Φ220mm	SMD	AC85-265V 50/60Hz	≥70LM/W	>80	≥0.5

DM0405

Material: Die-casting Aluminum
 Color Temperature:3000K/4000K/6500K
 Warranty: 2 Years
 IP rating:IP67



DM0405-1H



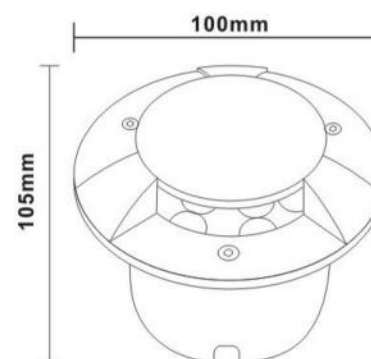
DM0405-2H



DM0405-3H



DM0405-4H



Product Details parameters:



Model	Wattage	Product size	Light source	Input voltage	Light effect	CRI(Ra)	Power factor
DM0405-1way	3W	Φ68/Φ80mm	SMD	AC85-265V 50/60Hz	≥70LM/W	>80	≥0.5
DM0405 1way/2way/3way/4way	3W/5W/7W/12W	Φ100/Φ120/Φ150/Φ180mm	SMD	AC85-265V 50/60Hz	≥70LM/W	>80	≥0.5
	3W/5W/7W/12W	Φ100/Φ120/Φ150/Φ180mm	SMD	AC85-265V 50/60Hz	≥70LM/W	>80	≥0.5
	3W/5W/7W/12W	Φ100/Φ120/Φ150/Φ180mm	SMD	AC85-265V 50/60Hz	≥70LM/W	>80	≥0.5

LED UNDERGROUND LIGHT

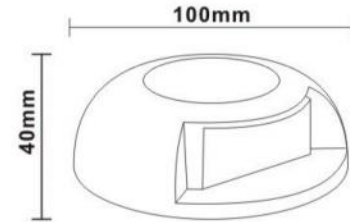


DM0406

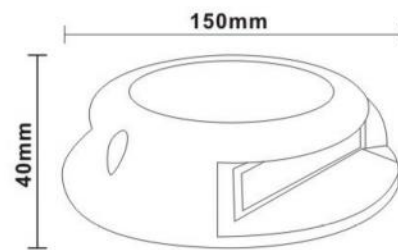
Material: Die-casting Aluminum
 Color Temperature:3000K/4000K/6500K
 Warranty: 2 Years
 IP rating:IP65



DM0406-2W



DM0406-2*4W



Product Details parameters:



Model	Wattage	Product size	Light source	Input voltage	Light effect	CRI(Ra)	Power factor
DM0406	2W	Φ100x40mm	SMD	AC85-265V 50/60Hz	≥70LM/W	>80	≥0.5
	3W	Φ120x40mm	SMD	AC85-265V 50/60Hz	≥70LM/W	>80	≥0.5
	4W	Φ150x40mm	SMD	AC85-265V 50/60Hz	≥70LM/W	>80	≥0.5
	2*2W	Φ120x40mm	SMD	AC85-265V 50/60Hz	≥70LM/W	>80	≥0.5
	2*3W	Φ120x40mm	SMD	AC85-265V 50/60Hz	≥70LM/W	>80	≥0.5
	2*4W	Φ150x40mm	SMD	AC85-265V 50/60Hz	≥70LM/W	>80	≥0.5



LED UNDERGROUND LIGHT

BL190

Material: Stainless Steel
 Color Temperature:3000K/4000K/6500K
 Warranty: 2 Years
 IP rating:IP68



BL190-36W



BL190-18W



BL190-6W



BL190-3W



BL190-24W



BL190-12W



BL190-9W

Product Details parameters:



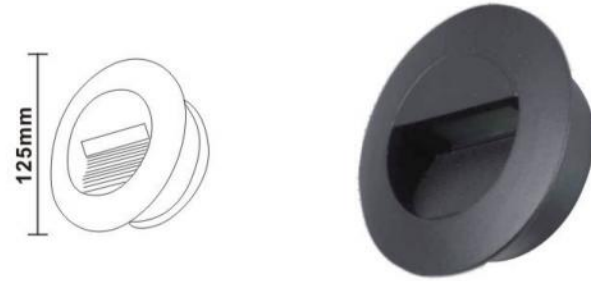
Model	Wattage	Product size	Light source	Input voltage	Light effect	CRI(Ra)	Power factor
BL190	3W	Φ82mm	COB	AC85-265V 50/60Hz	≥70LM/W	>80	≥0.5
	6W	Φ120mm	COB	AC85-265V 50/60Hz	≥70LM/W	>80	≥0.5
	9W	Φ145mm	COB	AC85-265V 50/60Hz	≥70LM/W	>80	≥0.5
	12W	Φ160mm	COB	AC85-265V 50/60Hz	≥70LM/W	>80	≥0.5
	18W	Φ175mm	COB	AC85-265V 50/60Hz	≥70LM/W	>80	≥0.5
	24W	Φ190mm	COB	AC85-265V 50/60Hz	≥70LM/W	>80	≥0.5
	36W	Φ210mm	COB	AC85-265V 50/60Hz	≥70LM/W	>80	≥0.5

LED CORNER STEP LIGHT



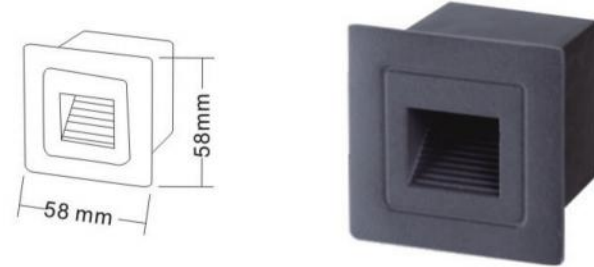
690Y

Material: Die-casting Aluminum
Color Temperature:3000K/4000K/6500K
Warranty: 2 Years
IP rating:IP65



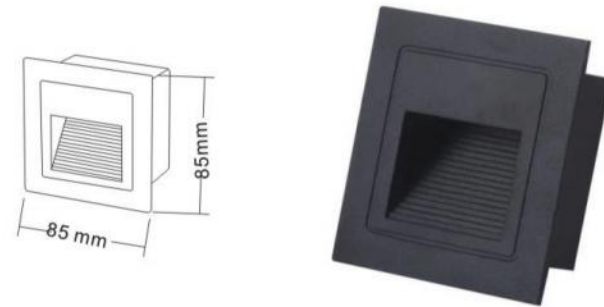
690S

Material: Die-casting Aluminum
Color Temperature:3000K/4000K/6500K
Warranty: 2 Years
IP rating:IP65



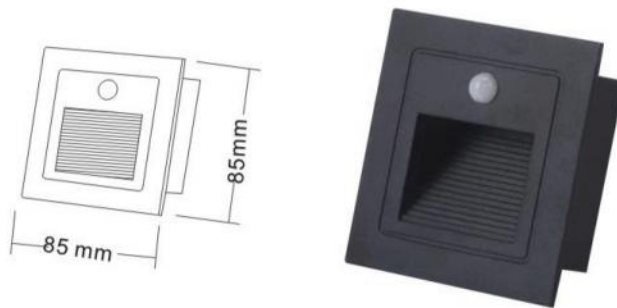
690L

Material: Die-casting Aluminum
Color Temperature:3000K/4000K/6500K
Warranty: 2 Years
IP rating:IP65



690L-senor

Material: Die-casting Aluminum
Color Temperature:3000K/4000K/6500K
Warranty: 2 Years
IP rating:IP65



Product Details parameters:



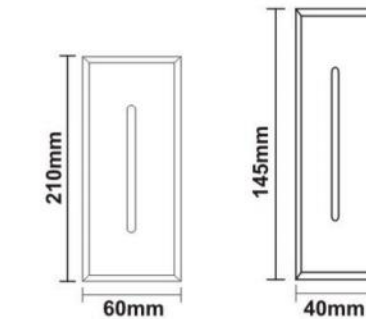
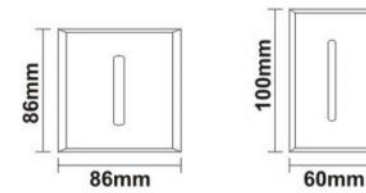
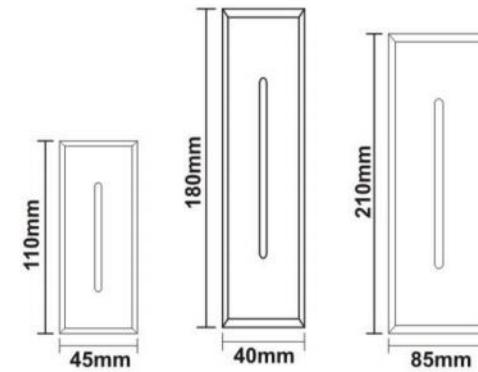
Model	Wattage	Product size	Light source	Input voltage	Light effect	CRI(Ra)	Power factor
690Y1	3W	Φ68mm	SMD	AC85-265V 50/60Hz	≥70LM/W	>80	≥0.5
690Y2	3W	Φ82mm	SMD	AC85-265V 50/60Hz	≥70LM/W	>80	≥0.5
690Y3	5W	Φ125mm	SMD	AC85-265V 50/60Hz	≥70LM/W	>80	≥0.5
690S	3W	58x58x48mm	SMD	AC85-265V 50/60Hz	≥70LM/W	>80	≥0.5
690L	3W	85x85x56mm	SMD	AC85-265V 50/60Hz	≥70LM/W	>80	≥0.5
690L-senor	3W	85x85x56mm	SMD	AC85-265V 50/60Hz	≥70LM/W	>80	≥0.5

LED CORNER STEP LIGHT



2705

Material: Die-casting Aluminum
Color Temperature:3000K/4000K/6500K
Warranty: 2 Years
IP rating:IP65



Product Details parameters:



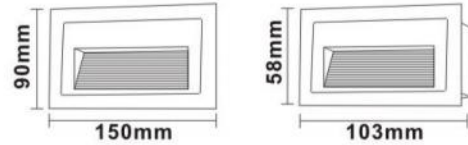
Model	Wattage	Product size	Light source	Input voltage	Light effect	CRI(Ra)	Power factor
2705S	3W	86x86x50mm	COB	AC85-265V 50/60Hz	≥70LM/W	>80	≥0.5
2705M	3W	100x60mm	COB	AC85-265V 50/60Hz	≥70LM/W	>80	≥0.5
2705L1	3W	210x60mm	COB	AC85-265V 50/60Hz	≥70LM/W	>80	≥0.5
2705L2	3W	145x40x45mm	COB	AC85-265V 50/60Hz	≥70LM/W	>80	≥0.5
2705L3	3W	110x45mm	COB	AC85-265V 50/60Hz	≥70LM/W	>80	≥0.5
2705L4	3W	180x40x45mm	COB	AC85-265V 50/60Hz	≥70LM/W	>80	≥0.5
2705L5	3W	210x85mm	COB	AC85-265V 50/60Hz	≥70LM/W	>80	≥0.5

LED CORNER STEP LIGHT



2703L-3W

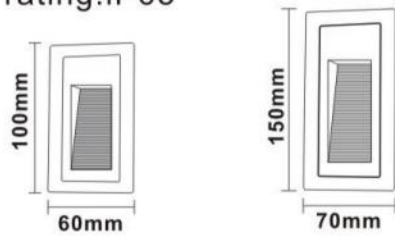
Material: Die-casting Aluminum
Color Temperature:3000K/4000K/6500K
Warranty: 2 Years
IP rating:IP65



2703L 2703S

2704

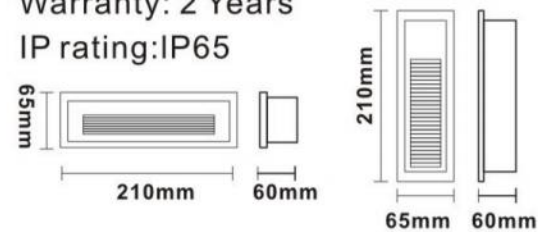
Material: Die-casting Aluminum
Color Temperature:3000K/4000K/6500K
Warranty: 2 Years
IP rating:IP65



2704S 2704L

D705L

Material: Die-casting Aluminum
Color Temperature:3000K/4000K/6500K
Warranty: 2 Years
IP rating:IP65



D705L 横 D705L 竖

Product Details parameters:



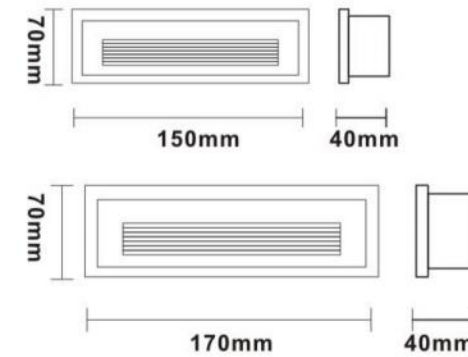
Model	Wattage	Product size	Light source	Input voltage	Light effect	CRI(Ra)	Power factor
D705L 横	6W	210x65x60mm	SMD	AC85-265V 50/60Hz	≥70LM/W	>80	≥0.5
D705L 竖	3W	210x65x60mm	COB	AC85-265V 50/60Hz	≥70LM/W	>80	≥0.5
2704S	3W	100x60x35mm	SMD	AC85-265V 50/60Hz	≥70LM/W	>80	≥0.5
2704L	5W	150x70x40mm	SMD	AC85-265V 50/60Hz	≥70LM/W	>80	≥0.5
2703S	3W	150x90x35mm	SMD	AC85-265V 50/60Hz	≥70LM/W	>80	≥0.5
2704L	3W	103x58x60mm	SMD	AC85-265V 50/60Hz	≥70LM/W	>80	≥0.5

LED CORNER STEP LIGHT



2702

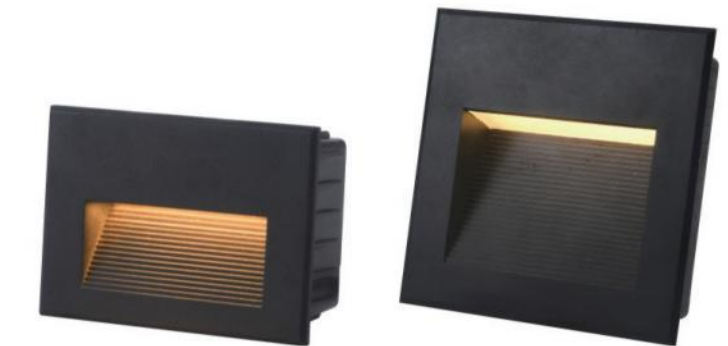
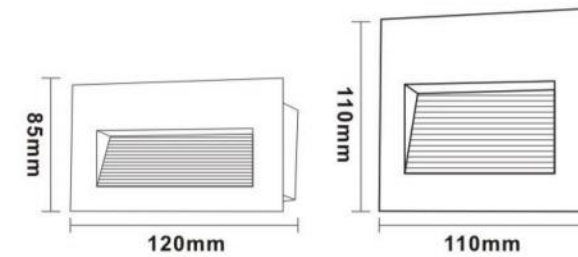
Material: Die-casting Aluminum
Color Temperature:3000K/4000K/6500K
Warranty: 2 Years
IP rating:IP65



2702S 2702L

2701

Material: Die-casting Aluminum
Color Temperature:3000K/4000K/6500K
Warranty: 2 Years
IP rating:IP65



2701S 2701L

Product Details parameters:



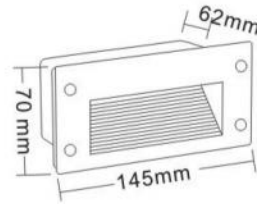
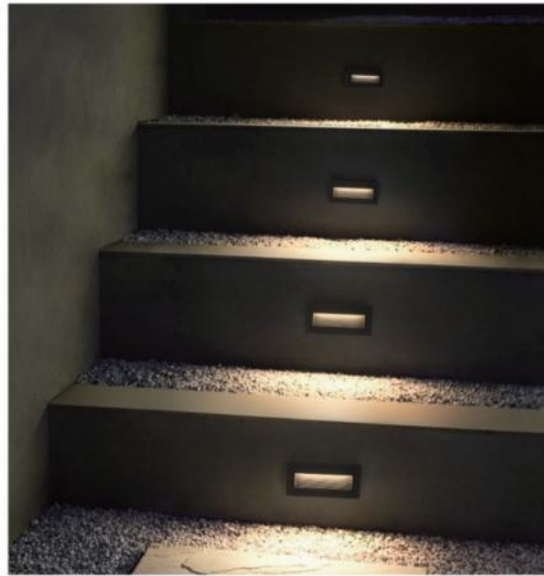
Model	Wattage	Product size	Light source	Input voltage	Light effect	CRI(Ra)	Power factor
2701S	6W	120x85x35mm	SMD	AC85-265V 50/60Hz	≥70LM/W	>80	≥0.5
2701L	6W	110x110x40mm	SMD	AC85-265V 50/60Hz	≥70LM/W	>80	≥0.5
2702S	6W	150x70x40mm	SMD	AC85-265V 50/60Hz	≥70LM/W	>80	≥0.5
2702L	6W	170x70x36mm	SMD	AC85-265V 50/60Hz	≥70LM/W	>80	≥0.5

LED CORNER STEP LIGHT

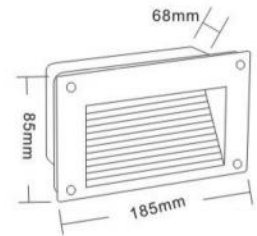


F111

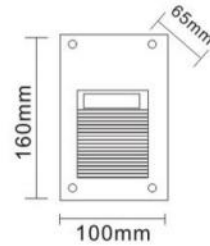
Material: Die-casting Aluminum
 Color Temperature: 3000K/4000K/6500K
 Warranty: 2 Years
 IP rating: IP65



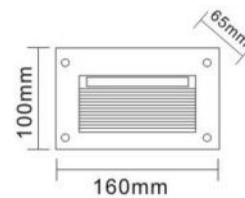
F111S



F111L

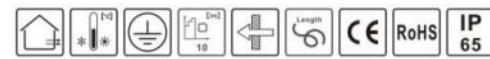


F111L- 竖



F111L- 横

Product Details parameters:



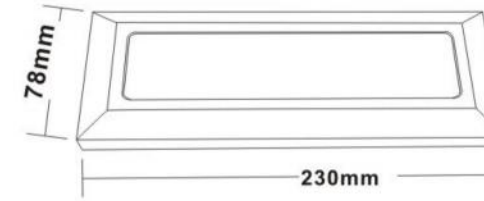
Model	Wattage	Product size	Light source	Input voltage	Light effect	CRI(Ra)	Power factor
F111S	3W	145x70xH62mm	SMD	AC85-265V 50/60Hz	≥70LM/W	>80	≥0.5
F111L	4W	185x65xH68mm	COB	AC85-265V 50/60Hz	≥70LM/W	>80	≥0.5
F111L 竖	5W	160x100xH65mm	COB	AC85-265V 50/60Hz	≥70LM/W	>80	≥0.5
F111L 横	4W	160x100xH65mm	COB	AC85-265V 50/60Hz	≥70LM/W	>80	≥0.5

LED CORNER STEP LIGHT



D691

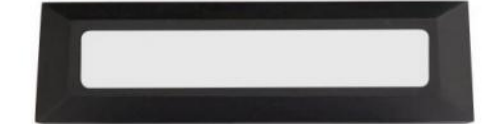
Material: Die-casting Aluminum
 Color Temperature: 3000K/4000K/6500K
 Warranty: 2 Years
 IP rating: IP65



D691-A



D691-B

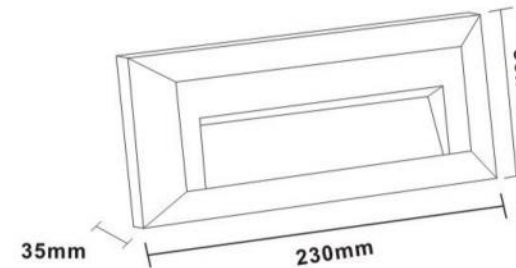


D691-C



2682

Material: Die-casting Aluminum
 Color Temperature: 3000K/4000K/6500K
 Warranty: 2 Years
 IP rating: IP65



2682

Product Details parameters:



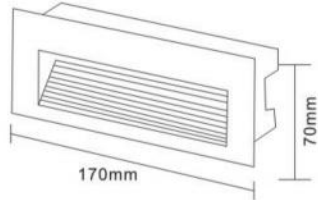
Model	Wattage	Product size	Light source	Input voltage	Light effect	CRI(Ra)	Power factor
2682	3W	105x60x35mm	SMD	AC85-265V 50/60Hz	≥70LM/W	>80	≥0.5
	3W	173x80x35mm	SMD	AC85-265V 50/60Hz	≥70LM/W	>80	≥0.5
	5W	230x80x35mm	SMD	AC85-265V 50/60Hz	≥70LM/W	>80	≥0.5
D691-A	6W	230x79x25mm	SMD	AC85-265V 50/60Hz	≥70LM/W	>80	≥0.5
D691-B	6W	210x59x25mm	SMD	AC85-265V 50/60Hz	≥70LM/W	>80	≥0.5
D691-C	3W	172x78x25mm	SMD	AC85-265V 50/60Hz	≥70LM/W	>80	≥0.5

LED CORNER STEP LIGHT



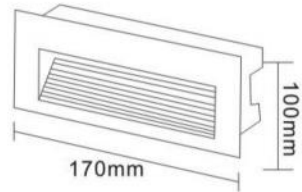
D17070

Material: Die-casting Aluminum
 Color Temperature: 3000K/4000K/6500K
 Warranty: 2 Years
 IP rating: IP65



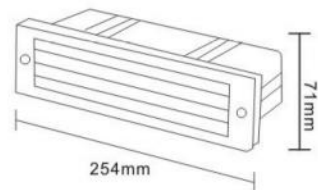
D21085

Material: Die-casting Aluminum
 Color Temperature: 3000K/4000K/6500K
 Warranty: 2 Years
 IP rating: IP65



D255

Material: Die-casting Aluminum
 Color Temperature: 3000K/4000K/6500K
 Warranty: 2 Years
 IP rating: IP65



Product Details parameters:



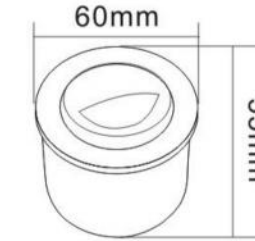
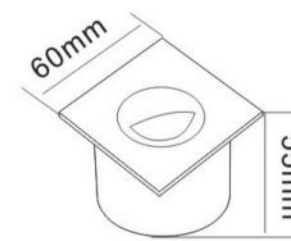
Model	Wattage	Product size	Light source	Input voltage	Light effect	CRI(Ra)	Power factor
D17070	6W	170x70mm	SMD	AC85-265V 50/60Hz	≥70LM/W	>80	≥0.5
D21085	6W	170x100x65mm	SMD	AC85-265V 50/60Hz	≥70LM/W	>80	≥0.5
D255	8W	254x71x93mm	SMD	AC85-265V 50/60Hz	≥70LM/W	>80	≥0.5

LED CORNER STEP LIGHT



0803

Material: Die-casting Aluminum
 Color Temperature: 3000K/4000K/6500K
 Warranty: 2 Years
 IP rating: IP65



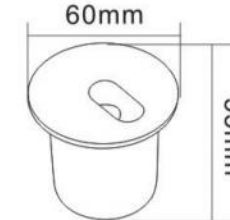
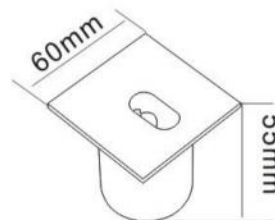
0803S



0803R

4104

Material: Die-casting Aluminum
 Color Temperature: 3000K/4000K/6500K
 Warranty: 2 Years
 IP rating: IP65



4103



4104

Product Details parameters:



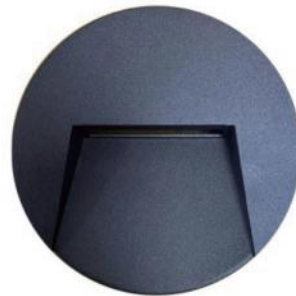
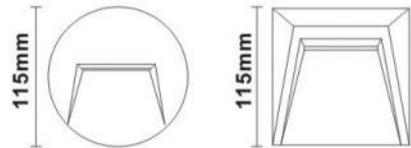
Model	Wattage	Product size	Light source	Input voltage	Light effect	CRI(Ra)	Power factor
0803R	3W	Φ60xH55mm	COB	AC85-265V 50/60Hz	≥70LM/W	>80	≥0.5
0803S	3W	60x60xH55mm	COB	AC85-265V 50/60Hz	≥70LM/W	>80	≥0.5
4104	3W	Φ60xH55mm	SMD	AC85-265V 50/60Hz	≥70LM/W	>80	≥0.5
4103	3W	60x60xH55mm	SMD	AC85-265V 50/60Hz	≥70LM/W	>80	≥0.5

LED CORNER STEP LIGHT

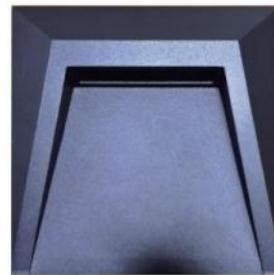


F710

Material: Die-casting Aluminum
Color Temperature:3000K/4000K/6500K
Warranty: 2 Years
IP rating:IP65



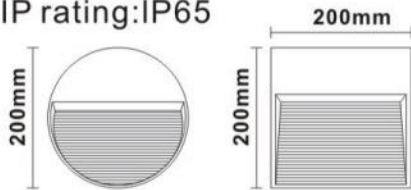
F710Y



F710F

F709

Material: Die-casting Aluminum
Color Temperature:3000K/4000K/6500K
Warranty: 2 Years
IP rating:IP65



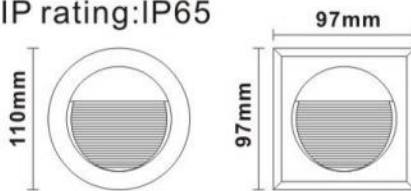
F709Y



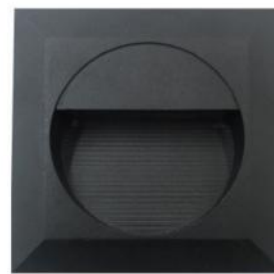
F709F

F711

Material: Die-casting Aluminum
Color Temperature:3000K/4000K/6500K
Warranty: 2 Years
IP rating:IP65



F711Y



F711F

Product Details parameters:



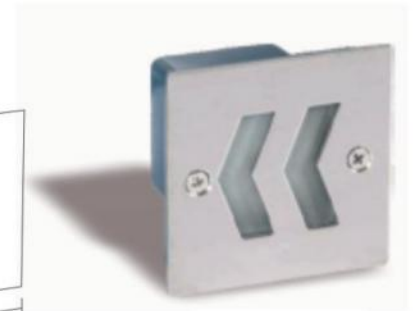
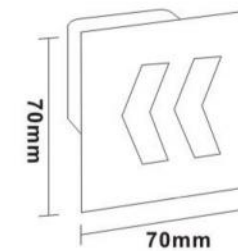
Model	Wattage	Product size	Light source	Input voltage	Light effect	CRI(Ra)	Power factor
F709Y	6W/12W	Φ115/Φ200x33mm	SMD	AC85-265V 50/60Hz	≥70LM/W	>80	≥0.5
F709F	6W/12W	115x115/200x200x33mm	SMD	AC85-265V 50/60Hz	≥70LM/W	>80	≥0.5
F710Y	3W	Φ115x33mm	SMD	AC85-265V 50/60Hz	≥70LM/W	>80	≥0.5
F710F	3W	115x115x33mm	SMD	AC85-265V 50/60Hz	≥70LM/W	>80	≥0.5
F711Y	3W	Φ110x25mm	SMD	AC85-265V 50/60Hz	≥70LM/W	>80	≥0.5
F711F	3W	97x97x25mm	SMD	AC85-265V 50/60Hz	≥70LM/W	>80	≥0.5

LED CORNER STEP LIGHT

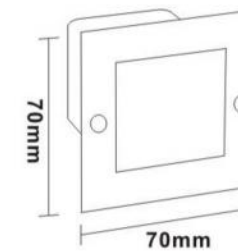


D32

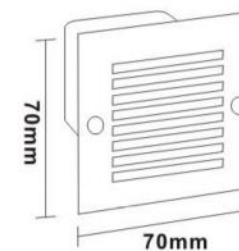
Material: Die-casting Aluminum+Stainless steel
Color Temperature:3000K/4000K/6500K
Warranty: 2 Years
IP rating:IP65



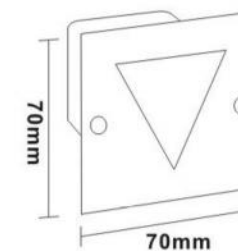
D32A



D32B

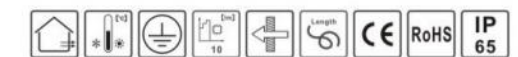


D32D



D32C

Product Details parameters:



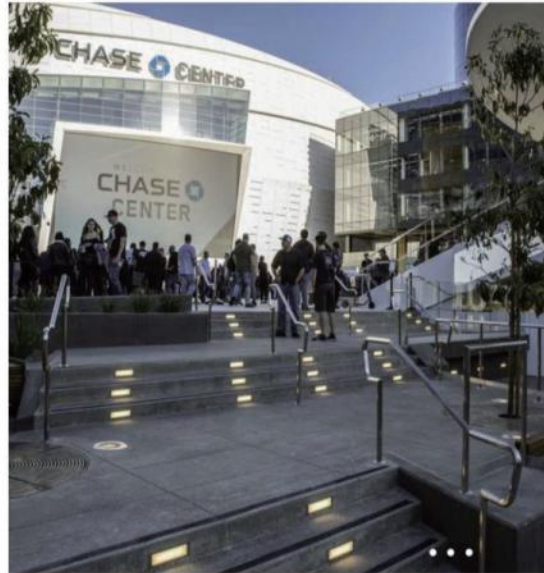
Model	Wattage	Product size	Light source	Input voltage	Light effect	CRI(Ra)	Power factor
D32A	3W	70x55mm/105x55mm	SMD	AC85-265V 50/60Hz	≥70LM/W	>80	≥0.5
D32B	3W	70x55mm/105x55mm	SMD	AC85-265V 50/60Hz	≥70LM/W	>80	≥0.5
D32C	3W	70x55mm/105x55mm	SMD	AC85-265V 50/60Hz	≥70LM/W	>80	≥0.5
D32D	3W	70x55mm/105x55mm	SMD	AC85-265V 50/60Hz	≥70LM/W	>80	≥0.5

LED CORNER STEP LIGHT

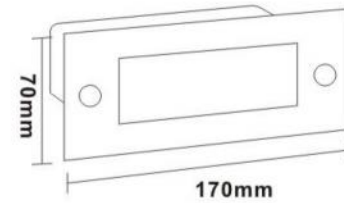


D26

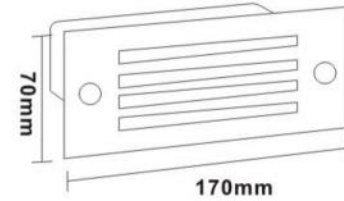
Material: Die-casting Aluminum+Stainless steel
 Color Temperature:3000K/4000K/6500K
 Warranty: 2 Years
 IP rating:IP65



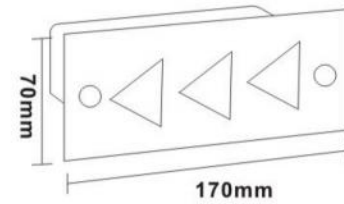
D26A



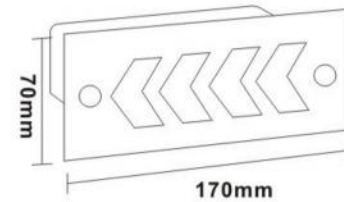
D26B



D26C



D26D



Product Details parameters:



Model	Wattage	Product size	Light source	Input voltage	Light effect	CRI(Ra)	Power factor
D26A	3W	110x45x55mm/170x70x55mm	SMD	AC85-265V 50/60Hz	≥70LM/W	>80	≥0.5
D26B	3W	110x45x55mm/170x70x55mm	SMD	AC85-265V 50/60Hz	≥70LM/W	>80	≥0.5
D26C	3W	110x45x55mm/170x70x55mm	SMD	AC85-265V 50/60Hz	≥70LM/W	>80	≥0.5
D26D	3W	110x45x55mm/170x70x55mm	SMD	AC85-265V 50/60Hz	≥70LM/W	>80	≥0.5

LED CYLINDRICAL LAMP



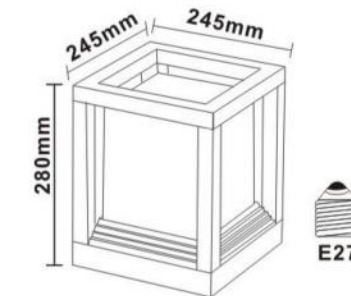
P61-S/L

Material: Die-casting Aluminum+PC
 Color Temperature:3000K/4000K/6500K
 Warranty: 2 Years
 IP rating:IP65



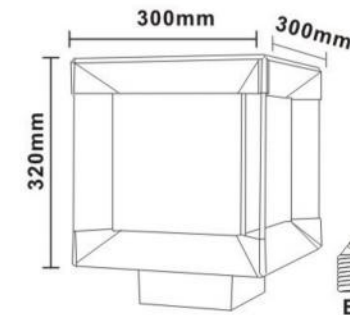
P61-L

P61-S



Z2301

Material: Die-casting Aluminum+Glass
 Color Temperature:3000K/4000K/6500K
 Warranty: 2 Years
 IP rating:IP65



Z2301

Product Details parameters:

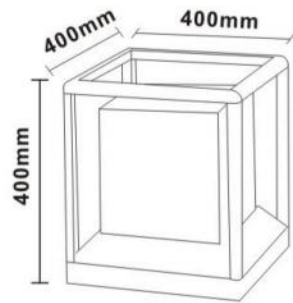


Model	Wattage	Product size	Light source	Input voltage	Light effect	CRI(Ra)	Power factor
P61-S	E27	165x165x255mm	/	AC85-265V 50/60Hz	/	/	/
P61-L	E27	245x245x280mm	/	AC85-265V 50/60Hz	/	/	/
Z2301-S	E27	165x165x255mm	/	AC85-265V 50/60Hz	/	/	/
Z2301-M	E27	245x245x280mm	/	AC85-265V 50/60Hz	/	/	/
Z2301-L	E27	300x300x320mm	/	AC85-265V 50/60Hz	/	/	/

LED CYLINDRICAL LAMP

B025

Material: Die-casting Aluminum+PC
 Color Temperature:3000K/4000K/6500K
 Warranty: 2 Years
 IP rating:IP65



B025-XL



B025-S



B025-M



B025-L

Product Details parameters:



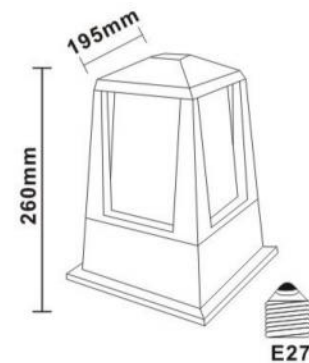
Model	Wattage	Product size	Light source	Input voltage	Light effect	CRI(Ra)	Power factor
B025-S	E27	170x170x210mm	/	AC85-265V 50/60Hz	/	/	/
B025-M	E27	220x220x255mm	/	AC85-265V 50/60Hz	/	/	/
B025-L	E27	250x250x250mm	/	AC85-265V 50/60Hz	/	/	/
B025-XL	E27	400x400x400mm	/	AC85-265V 50/60Hz	/	/	/

LED CYLINDRICAL LAMP

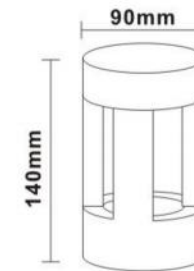
2092

F9011A

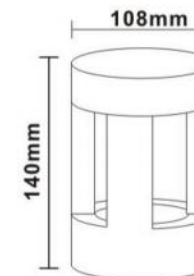
Material: Die-casting Aluminum
 Color Temperature:3000K/4000K/6500K
 Warranty: 2 Years
 IP rating:IP65



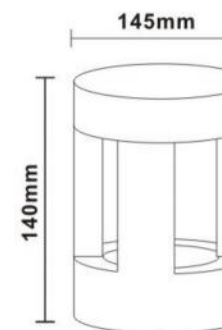
2092



F9011A-7W

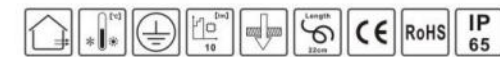


F9011A-10W



F9011A-15W

Product Details parameters:



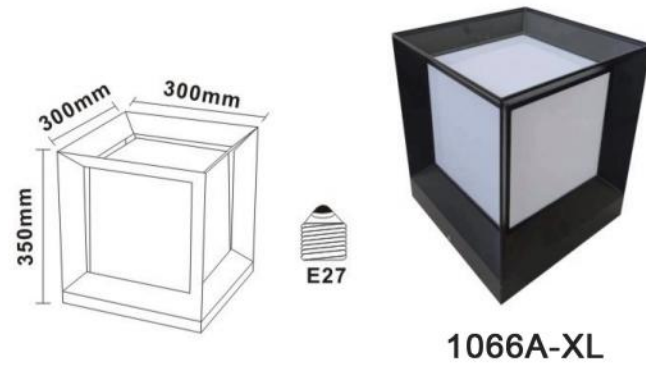
Model	Wattage	Product size	Light source	Input voltage	Light effect	CRI(Ra)	Power factor
2092	E27	195x195x260mm	/	AC85-265V 50/60Hz	/	/	/
F9011A	7W	Φ90x140mm	COB	AC85-265V 50/60Hz	≥70LM/W	>80	≥0.5
	10W	Φ108x140mm	COB	AC85-265V 50/60Hz	≥70LM/W	>80	≥0.5
	15W	Φ145x140mm	COB	AC85-265V 50/60Hz	≥70LM/W	>80	≥0.5

LED CYLINDRICAL LAMP



1066A

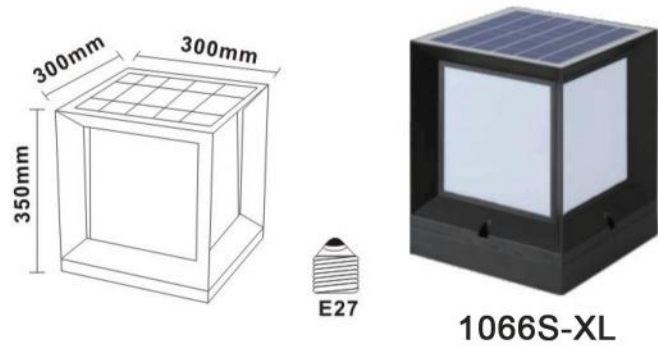
Material: Die-casting Aluminum+PC
 Color Temperature:3000K/4000K/6500K
 Warranty: 2 Years
 IP rating:IP65



1066A-XL

1066S SOLAR

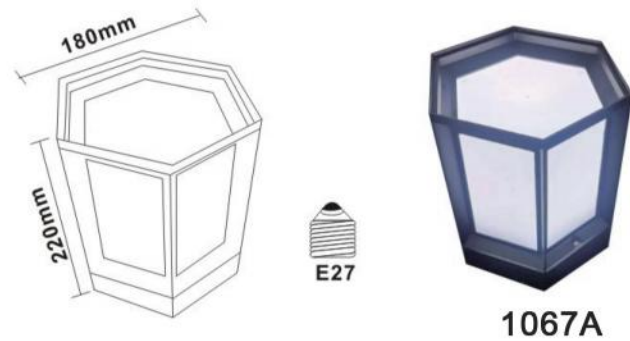
Material: Die-casting Aluminum+PC
 Color Temperature:3000K/4000K/6500K
 Warranty: 2 Years
 IP rating:IP65



1066S-XL

1067A

Material: Die-casting Aluminum+PC
 Color Temperature:3000K/4000K/6500K
 Warranty: 2 Years
 IP rating:IP65



1067A

Product Details parameters:



Model	Wattage	Product size	Light source	Input voltage	Light effect	CRI(Ra)	Power factor
1066A-S	/	150x150x175mm	E27	/	/	/	/
1066A-M	/	200x200x230mm	E27	/	/	/	/
1066A-L	/	250x250x290mm	E27	/	/	/	/
1066A-XL	/	300x300x350mm	E27	/	/	/	/
1066S-S	/	150x150x180mm	E27	/	/	/	/
1066S-M	/	200x200x230mm	E27	/	/	/	/
1066S-L	/	250x250x300mm	E27	/	/	/	/
1066S-XL	/	250x250x300mm	E27	/	/	/	/
1067A	/	180x180x220mm	E27	/	/	/	/

LED CYLINDRICAL LAMP



1045A

Material: Die-casting Aluminum+PC
 Color Temperature:3000K/4000K/6500K
 Warranty: 2 Years
 IP rating:IP65



1044A



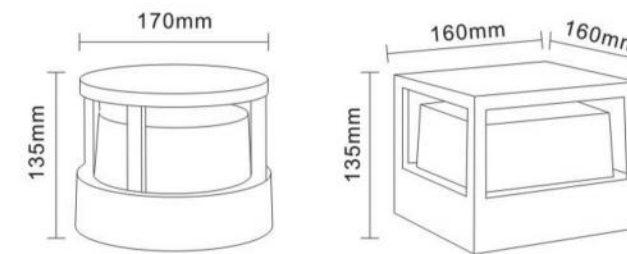
1046A



1045A



1045A



Product Details parameters:

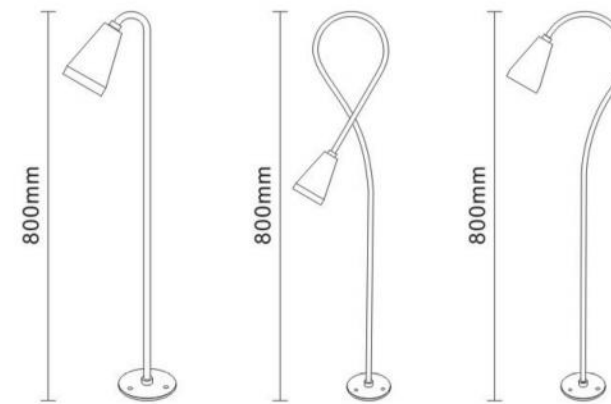


Model	Wattage	Product size	Light source	Input voltage	Light effect	CRI(Ra)	Power factor
1044A-S	5W	Φ130x120mm	SMD LED	AC85-265V 50/60Hz	≥70LM/W	>80	≥0.5
1044A-M	12W	Φ170x135mm	SMD LED	AC85-265V 50/60Hz	≥70LM/W	>80	≥0.5
1045A-S	5W	Φ130x120mm	SMD LED	AC85-265V 50/60Hz	≥70LM/W	>80	≥0.5
1045A-M	12W	Φ170x135mm	SMD LED	AC85-265V 50/60Hz	≥70LM/W	>80	≥0.5
1046A-S	5W	130x130x120mm	SMD LED	AC85-265V 50/60Hz	≥70LM/W	>80	≥0.5
1046A-M	12W	160x160x135mm	SMD LED	AC85-265V 50/60Hz	≥70LM/W	>80	≥0.5
1047A-S	5W	130x130x120mm	SMD LED	AC85-265V 50/60Hz	≥70LM/W	>80	≥0.5
1047A-M	12W	160x160x135mm	SMD LED	AC85-265V 50/60Hz	≥70LM/W	>80	≥0.5



CP004

Material: Die-casting Aluminum
 Color Temperature:3000K/4000K/6500K
 Warranty: 2 Years
 IP rating:IP65



Product Details parameters:



Model	Wattage	Product size	Light source	Input voltage	Light effect	CRI(Ra)	Power factor
CP004-1	7W	H400/H600/H800mm	COB	AC85-265V 50/60Hz	≥70LM/W	>80	≥0.5
CP004-2	7W	H800mm	COB	AC85-265V 50/60Hz	≥70LM/W	>80	≥0.5
CP004-3	7W	H800mm	COB	AC85-265V 50/60Hz	≥70LM/W	>80	≥0.5

LED GARDEN LIGHT



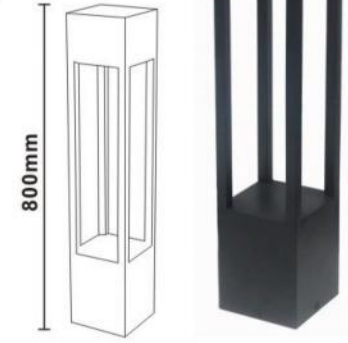
CP010

Material: Die-casting Aluminum
 Color Temperature:3000K/4000K/6500K
 Warranty: 2 Years
 IP rating:IP65
 Wattage:GU10
 Size:H600mm/H800mm



CP011

Material: Die-casting Aluminum
 Color Temperature:3000K/4000K/6500K
 Warranty: 2 Years
 IP rating:IP65
 Wattage:GU10
 Size:H600mm/H800mm



CP014

Material: Die-casting Aluminum
 Color Temperature:3000K/4000K/6500K
 Warranty: 2 Years
 IP rating:IP65
 Wattage:GU10
 Size:H600mm/H800mm



CP2313

Material: Die-casting Aluminum
 Color Temperature:3000K/4000K/6500K
 Warranty: 2 Years
 IP rating:IP65
 Wattage:GU10
 Size:165x135xH700



CP012

Material: Die-casting Aluminum
 Color Temperature:3000K/4000K/6500K
 Warranty: 2 Years
 IP rating:IP65
 Wattage:GU10
 Size:150x150xH500mm



CP013

Material: Die-casting Aluminum
 Color Temperature:3000K/4000K/6500K
 Warranty: 2 Years
 IP rating:IP65
 Wattage:GU10
 Size:Φ130x165xH560mm

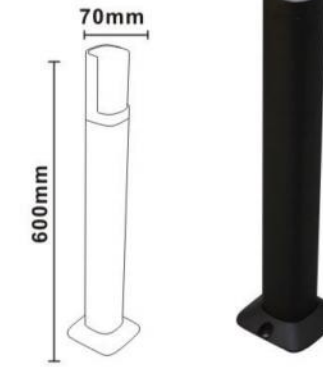


LED GARDEN LIGHT



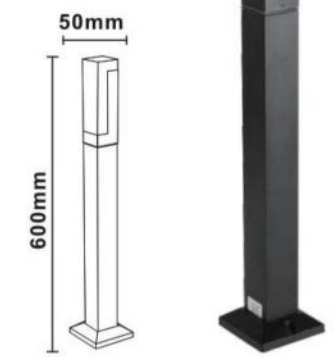
C2022

Material: Die-casting Aluminum
 Color Temperature:3000K/4000K/6500K
 Warranty: 2 Years
 IP rating:IP65
 Wattage:5W
 Light source:SMD
 Size:70x70xH400
 /H600
 /H800



C2001

Material: Die-casting Aluminum
 Color Temperature:3000K/4000K/6500K
 Warranty: 2 Years
 IP rating:IP65
 Wattage:5W
 Light source:SMD
 Size:50x50xH300
 /H400
 /H600
 /H800



CP2336

Material: Die-casting Aluminum
 Color Temperature:3000K/4000K/6500K
 Warranty: 2 Years
 IP rating:IP65
 Wattage:12W
 Light source:SMD
 Size:128x128xH600



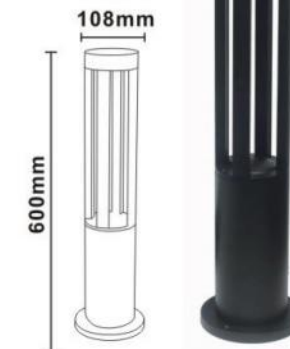
CP2363

Material: Die-casting Aluminum
 Color Temperature:3000K/4000K/6500K
 Warranty: 2 Years
 IP rating:IP65
 Wattage:12W
 Light source:SMD
 Size:150x150xH600



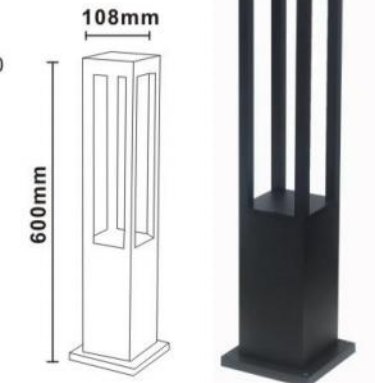
CP2307

Material: Die-casting Aluminum
 Color Temperature:3000K/4000K/6500K
 Warranty: 2 Years
 IP rating:IP65
 Wattage:7W
 Light source:COB
 Size:Φ108*H600



CP2306

Material: Die-casting Aluminum
 Color Temperature:3000K/4000K/6500K
 Warranty: 2 Years
 IP rating:IP65
 Wattage:7W
 Light source:COB
 Size: 108*108*H600



LED GARDEN LIGHT



888

Material: Die-casting Aluminum
 Color Temperature:3000K/4000K/6500K
 Warranty: 2 Years
 IP rating:IP65
 Wattage:5W
 Light source:SMD

Size:162x57xH200
 /H400
 /H600
 /H800



C2015/C2016

Material: Die-casting Aluminum
 Color Temperature:3000K/4000K/6500K
 Warranty: 2 Years
 IP rating:IP65
 Wattage:5W
 Light source:SMD

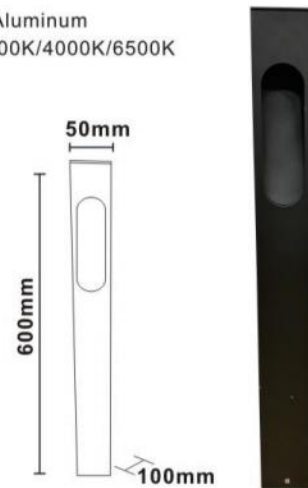
Size:170x138xH400
 /H600
 /H800



CP015

Material: Die-casting Aluminum
 Color Temperature:3000K/4000K/6500K
 Warranty: 2 Years
 IP rating:IP65
 Wattage:7W
 Light source:COB

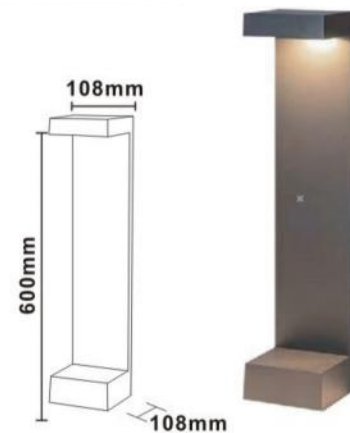
Size:100x50xH600



C2049

Material: Die-casting Aluminum
 Color Temperature:3000K/4000K/6500K
 Warranty: 2 Years
 IP rating:IP65
 Wattage:7W
 Light source:COB

Size:108x108xH600
 /H800



C2041

Material: Die-casting Aluminum
 Color Temperature:3000K/4000K/6500K
 Warranty: 2 Years
 IP rating:IP65
 Wattage:12W
 Light source:COB

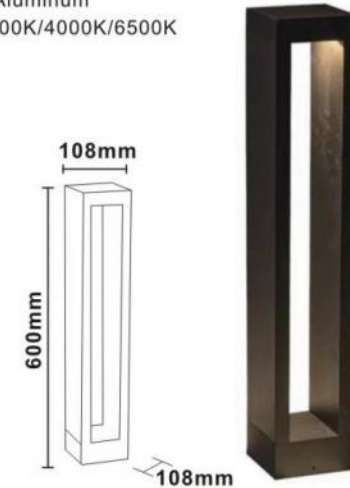
Size:Φ155xH600
 /H800
 /H1000



C2050

Material: Die-casting Aluminum
 Color Temperature:3000K/4000K/6500K
 Warranty: 2 Years
 IP rating:IP65
 Wattage:7W
 Light source:COB

Size: 108x108xH400
 /H600
 /H800



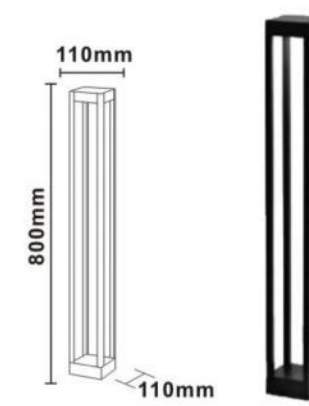
LED GARDEN LIGHT



9020A

Material: Die-casting Aluminum
 Color Temperature:3000K/4000K/6500K
 Warranty: 2 Years
 IP rating:IP65
 Wattage:7W
 Light source:COB

Size:110x110x/H200
 /H400
 /H600
 /H800



C2044/C2045

Material: Die-casting Aluminum
 Color Temperature:3000K/4000K/6500K
 Warranty: 2 Years
 IP rating:IP65
 Wattage:12W
 Light source:COB

Size:150x150x/H300/H600



881Y

Material: Die-casting Aluminum
 Color Temperature:3000K/4000K/6500K
 Warranty: 2 Years
 IP rating:IP65
 Wattage:7W
 Light source:COB

Size:162x57x/H400/H600/H800



C2047/C2048

Material: Die-casting Aluminum
 Color Temperature:3000K/4000K/6500K
 Warranty: 2 Years
 IP rating:IP65
 Wattage:10W
 Light source:COB

Size:170x100x/H600/H800/H1000



881F

Material: Die-casting Aluminum
 Color Temperature:3000K/4000K/6500K
 Warranty: 2 Years
 IP rating:IP65
 Wattage:7W
 Light source:COB

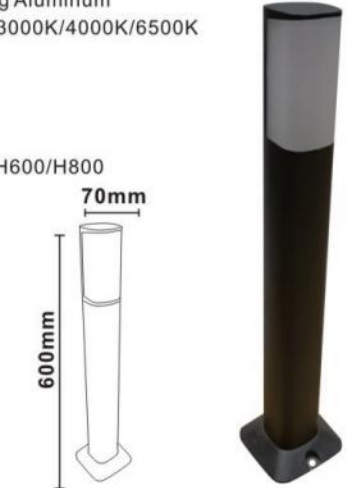
Size:162x57x/H400/H600/H800



C2003

Material: Die-casting Aluminum
 Color Temperature:3000K/4000K/6500K
 Warranty: 2 Years
 IP rating:IP65
 Wattage:5W
 Light source:SMD

Size:70x70x/H400/H600/H800

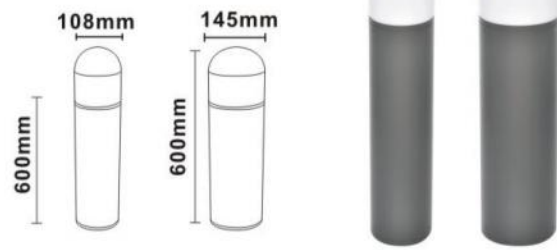


LED GARDEN LIGHT



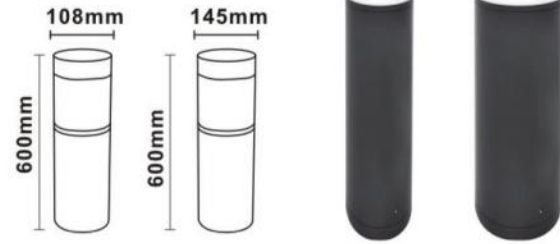
CP2372/CP2373

Material: Die-casting Aluminum
 Color Temperature:3000K/4000K/6500K
 Warranty: 2 Years
 IP rating:IP65
 Wattage:9W/12W
 Light source:SMD
 Size:Φ108/Φ145*H600



C2374/2375

Material: Die-casting Aluminum
 Color Temperature:3000K/4000K/6500K
 Warranty: 2 Years
 IP rating:IP65
 Wattage:9W/12W
 Light source:SMD
 Size:Φ108/Φ145*H600



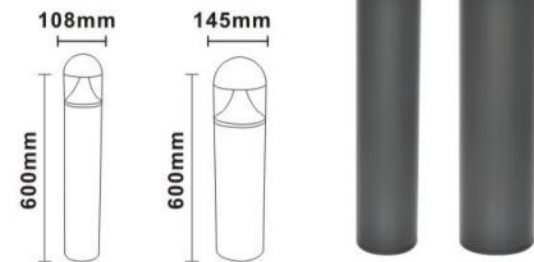
C23057/C23058

Material: Die-casting Aluminum
 Color Temperature:3000K/4000K/6500K
 Warranty: 2 Years
 IP rating:IP65
 Wattage:9W/12W
 Light source:SMD
 Size:Φ108/145*H600



C2364/2365

Material: Die-casting Aluminum
 Color Temperature:3000K/4000K/6500K
 Warranty: 2 Years
 IP rating:IP65
 Wattage:9W/12W
 Light source:SMD
 Size:Φ108/145*H600



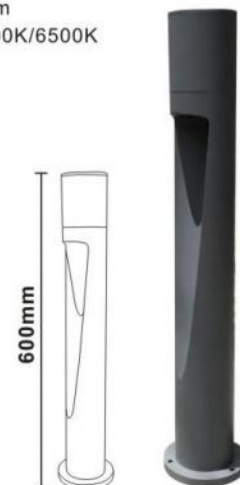
CP2360

Material: Die-casting Aluminum
 Color Temperature:3000K/4000K/6500K
 Warranty: 2 Years
 IP rating:IP65
 Wattage:5W
 Light source:COB
 Size:165x105xH600



CP016

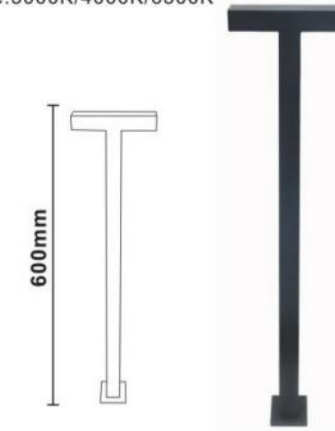
Material: Die-casting Aluminum
 Color Temperature:3000K/4000K/6500K
 Warranty: 2 Years
 IP rating:IP65
 Wattage:7W
 Light source:COB
 Size:H600



LED GARDEN LIGHT

CP017

Material: Die-casting Aluminum
 Color Temperature:3000K/4000K/6500K
 Warranty: 2 Years
 IP rating:IP65
 Wattage:7W
 Light source:COB
 Size:H600MM



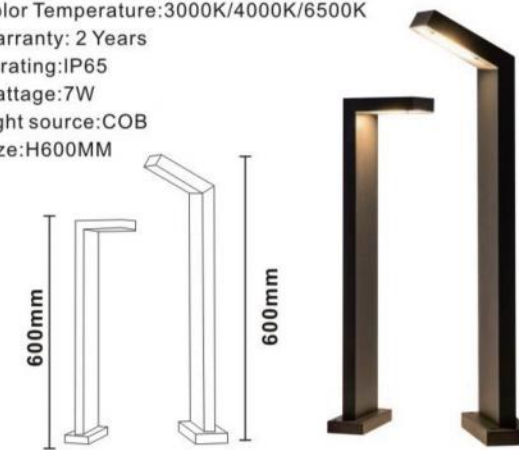
CP018

Material: Die-casting Aluminum
 Color Temperature:3000K/4000K/6500K
 Warranty: 2 Years
 IP rating:IP65
 Wattage:7W
 Light source:COB
 Size:H600MM



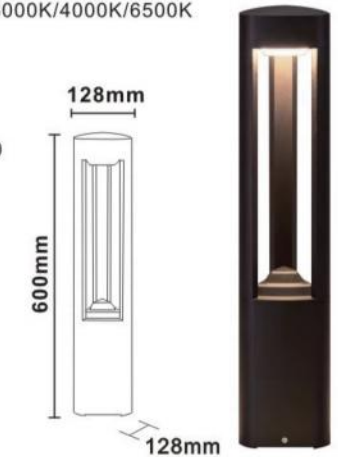
CP019

Material: Die-casting Aluminum
 Color Temperature:3000K/4000K/6500K
 Warranty: 2 Years
 IP rating:IP65
 Wattage:7W
 Light source:COB
 Size:H600MM



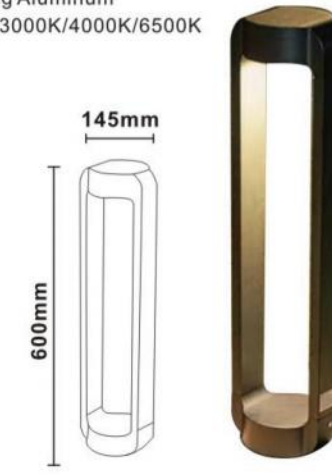
C2323

Material: Die-casting Aluminum
 Color Temperature:3000K/4000K/6500K
 Warranty: 2 Years
 IP rating:IP65
 Wattage:12W
 Light source:SMD
 Size: 128x128xH600



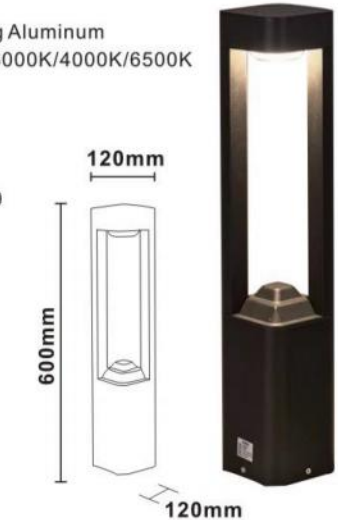
C2381

Material: Die-casting Aluminum
 Color Temperature:3000K/4000K/6500K
 Warranty: 2 Years
 IP rating:IP65
 Wattage:7W
 Light source:COB
 Size:Φ145xH600



C2323

Material: Die-casting Aluminum
 Color Temperature:3000K/4000K/6500K
 Warranty: 2 Years
 IP rating:IP65
 Wattage:12W
 Light source:SMD
 Size: 120x120xH600

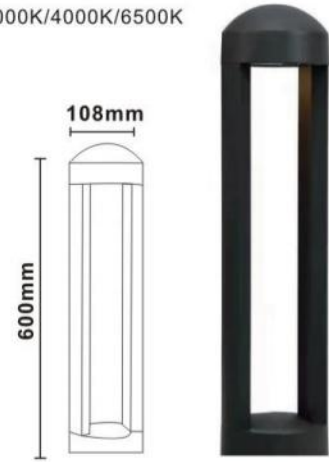


LED GARDEN LIGHT



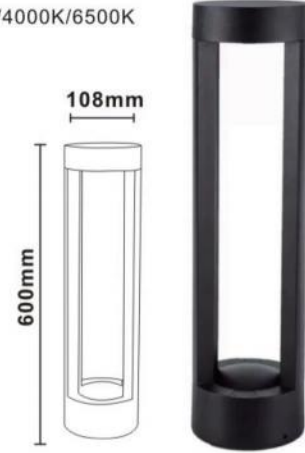
C2379

Material: Die-casting Aluminum
Color Temperature:3000K/4000K/6500K
Warranty: 2 Years
IP rating:IP65
Wattage:7W
Light source:COB
Size:Φ108xH600



C2378

Material: Die-casting Aluminum
Color Temperature:3000K/4000K/6500K
Warranty: 2 Years
IP rating:IP65
Wattage:7W
Light source:COB
Size:Φ108xH600



C2339

Material: Die-casting Aluminum
Color Temperature:3000K/4000K/6500K
Warranty: 2 Years
IP rating:IP65
Wattage:12W
Light source:COB
Size:290x180xH600



CP0176

Material: Die-casting Aluminum
Color Temperature:3000K/4000K/6500K
Warranty: 2 Years
IP rating:IP65
Wattage:7W
Light source:COB
Size:D76xH600



CP2337

Material: Die-casting Aluminum
Color Temperature:3000K/4000K/6500K
Warranty: 2 Years
IP rating:IP65
Wattage:12W
Light source:SMD
Size: 120x120xH600



CP2335

Material: Die-casting Aluminum
Color Temperature:3000K/4000K/6500K
Warranty: 2 Years
IP rating:IP65
Wattage:12W
Light source:SMD
Size: 128x128xH600

